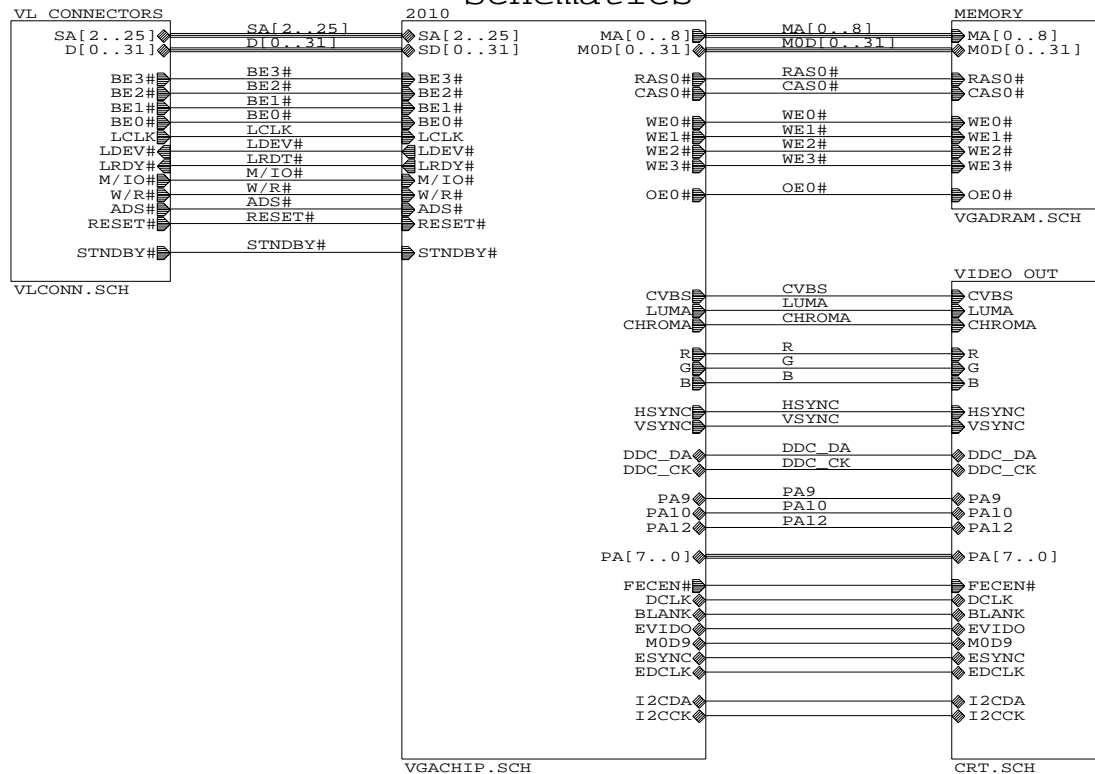


# IGS

## AMD Elan410 VGA CARD

### Schematics

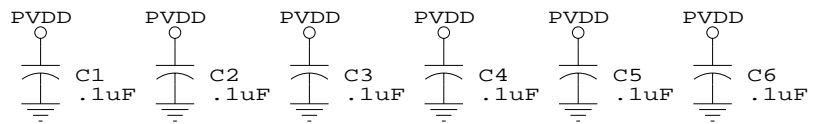
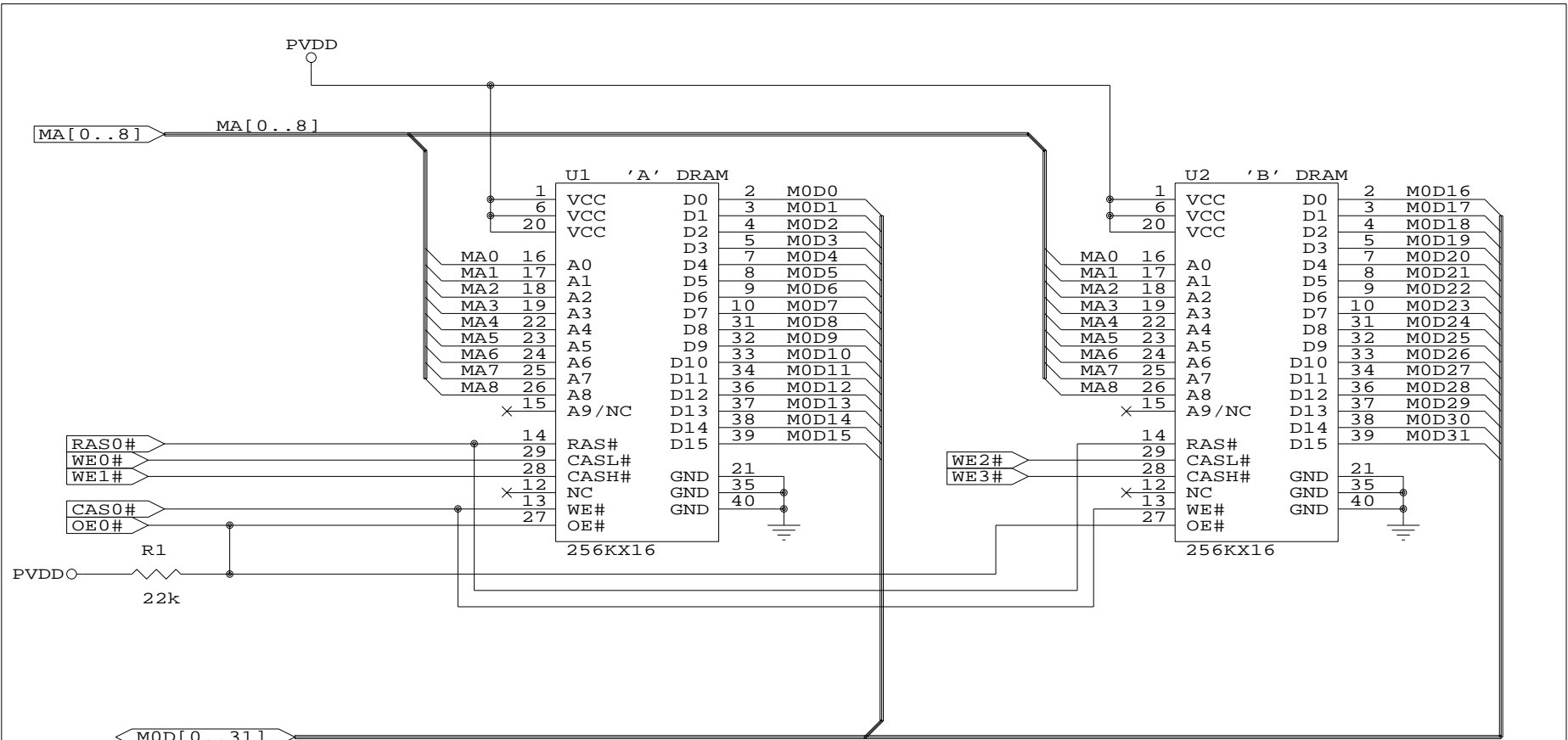


-----

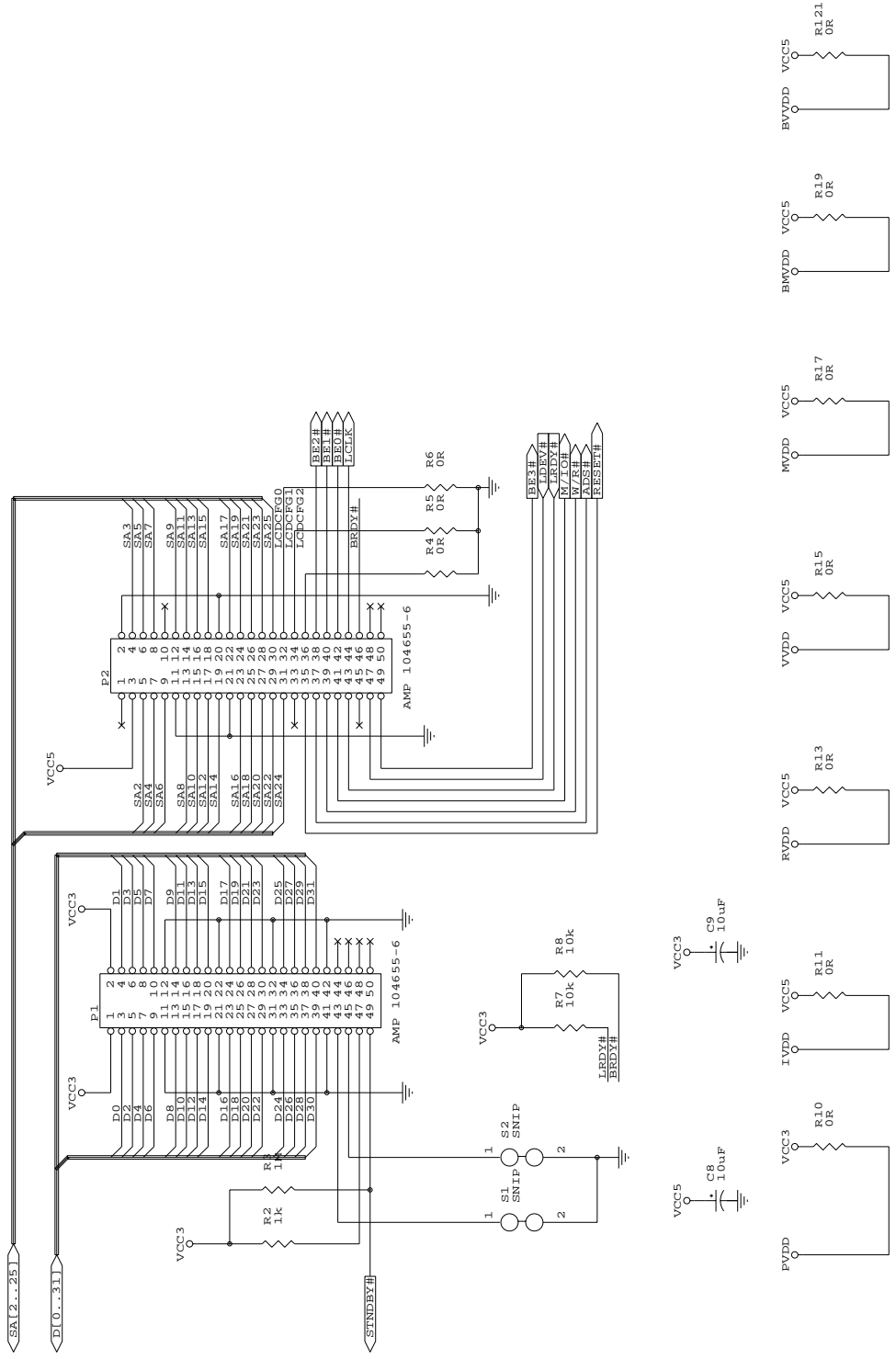
This document contains preliminary information and is subject to change by IGS without notice. IGS assumes no responsibility of liability for any use of the information contained herein.

Nothing in this document shall operate as an express or implied license or indemnity under the intellectual property rights of IGS or third parties. No warranty or guarantee is given concerning any information contained in this document

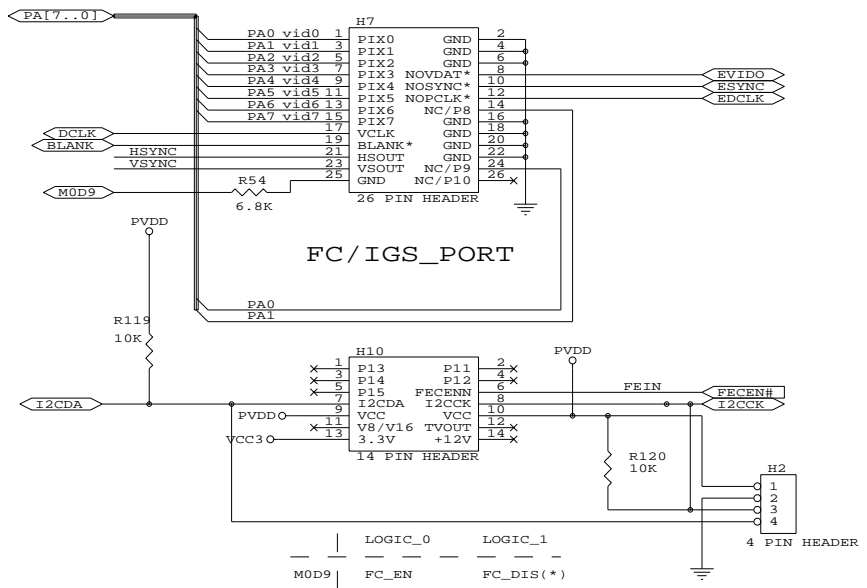
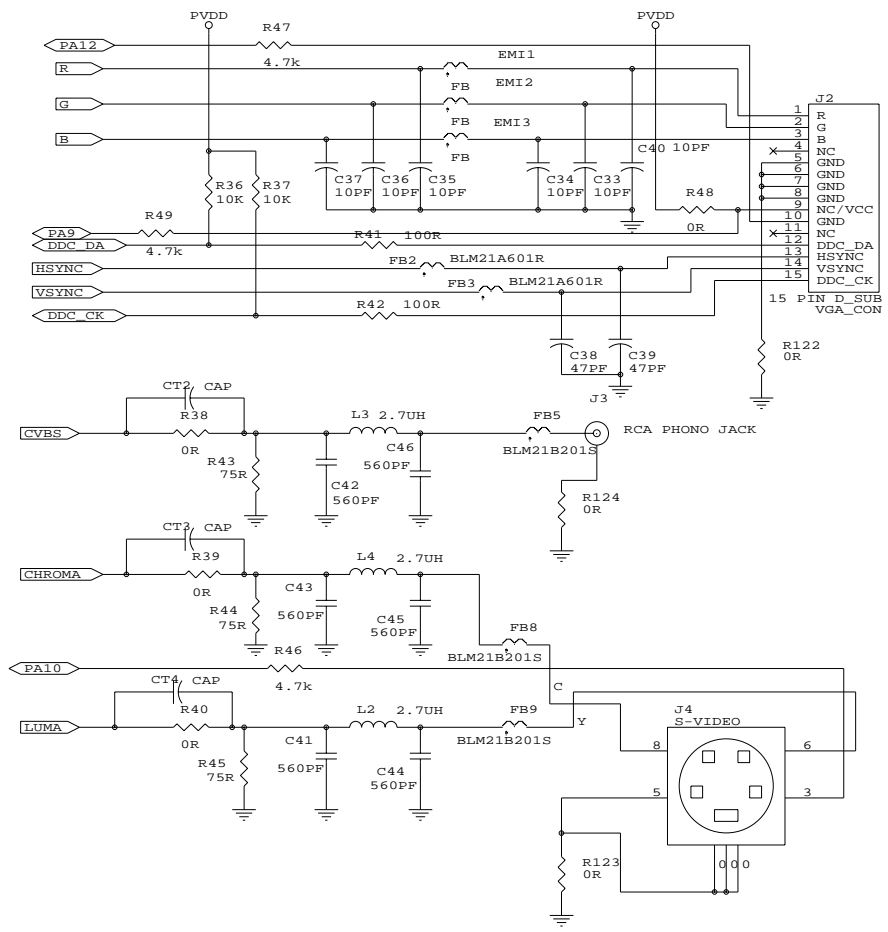
IGS		
Title		
AMD ELAN410 VGA CARD		
Size	Document Number	REV
D	VLBUS.SCH	2.0
Date:	August 1, 1997	Sheet 1 of 6



IGS		
Title		
AMD ELAN410 VGA CARD		
Size	Document Number	REV
A	VGADRAM.SCH	2.0
Date:	August 1, 1997	Sheet 2 of 6

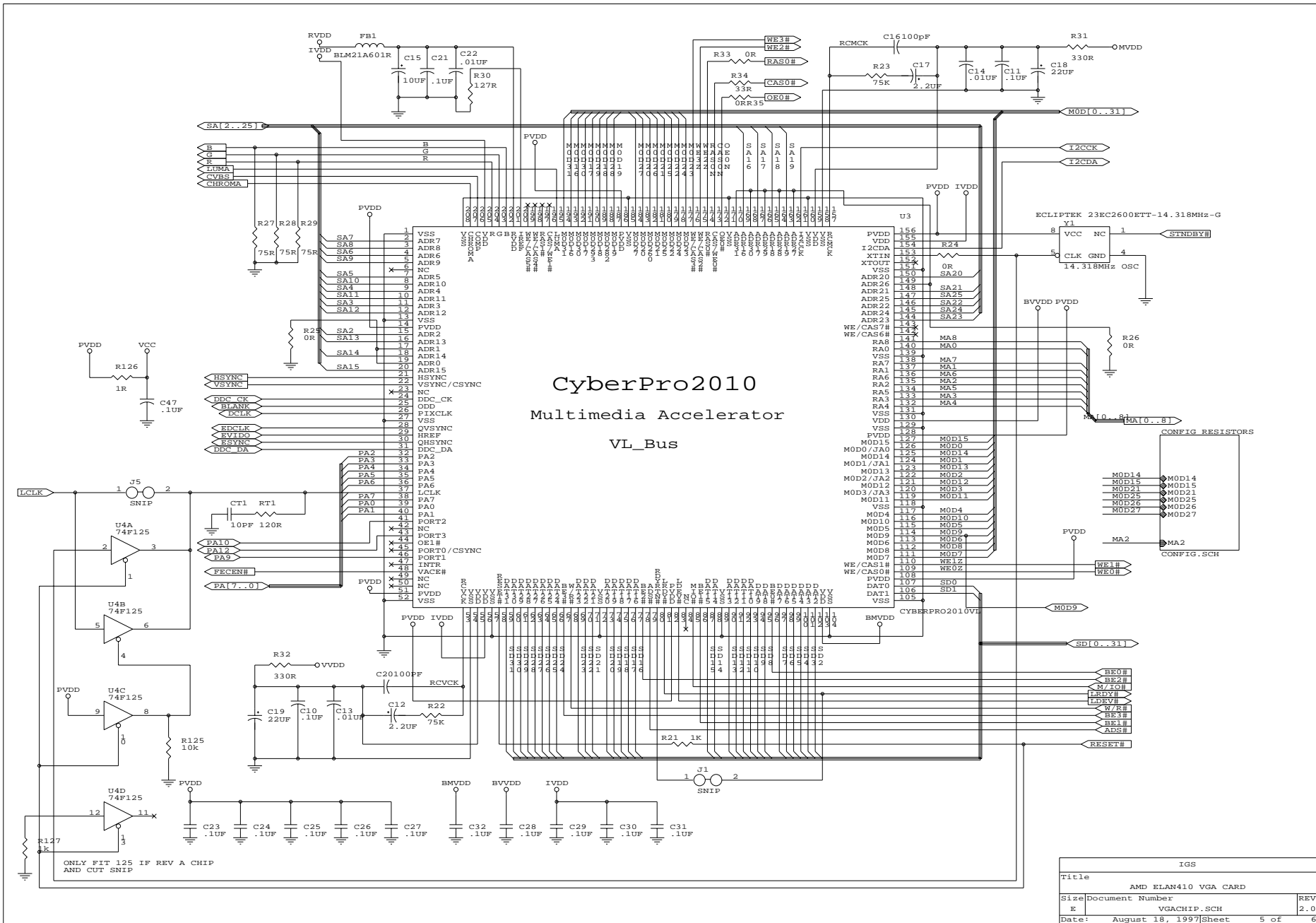


Title		IGS	
Size		AMD_ELAN410_VGA_CARD	
Document Number		VLCONN.SCH	
REV		2.0	
Date:		August 1, 1997/Sheet 3 of 6	

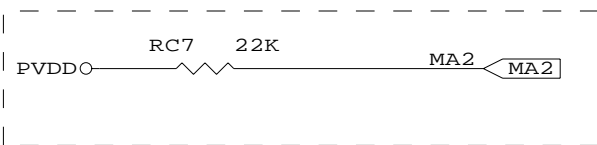
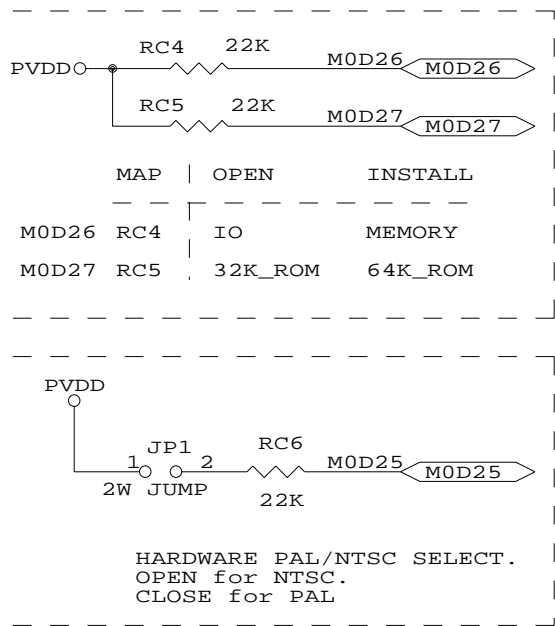
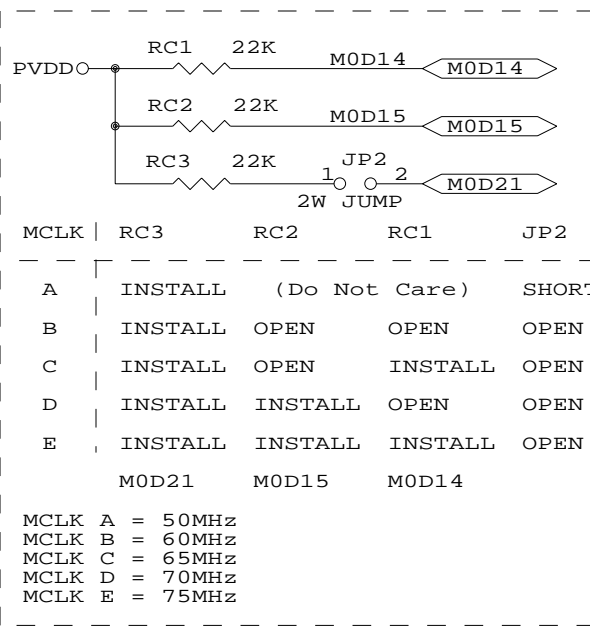


IGS		
Title		
AMD ELAN410 VGA CARD		
Size	Document Number	REV
B	CRT.SCH	2.0
Date:	August 1, 1997	Sheet 4 of 6

# CyberPro2010 Multimedia Accelerator VL\_Bus



IGS		
Title	AMD ELAN410 VGA CARD	
Size	Document Number	REV
E	VGACHIP.SCH	2.0
Date:	August 18, 1997	Sheet 5 of 6



IGS		
Title		
AMD ELAN410 VGA CARD		
Size	Document Number	REV
A	CONFIG.SCH	2.0
Date:	August 1, 1997	Sheet 6 of 6