
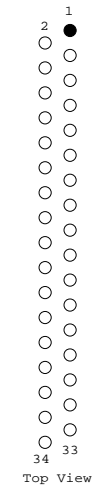
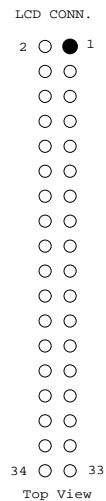
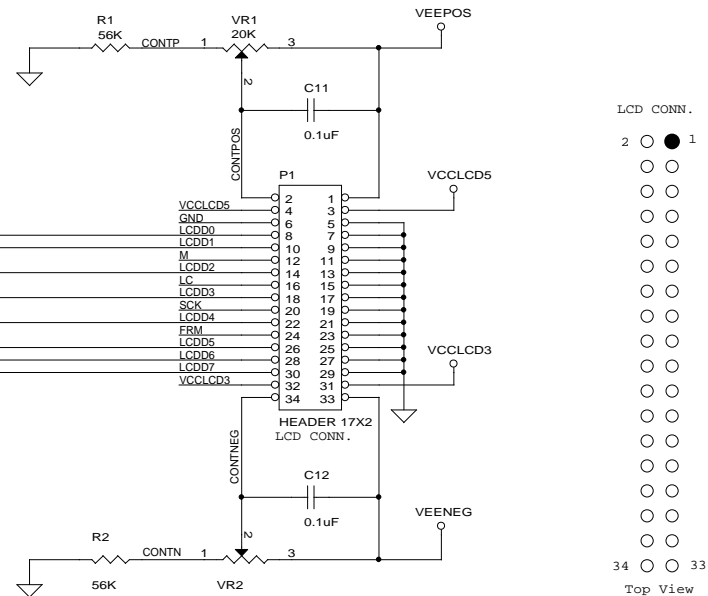
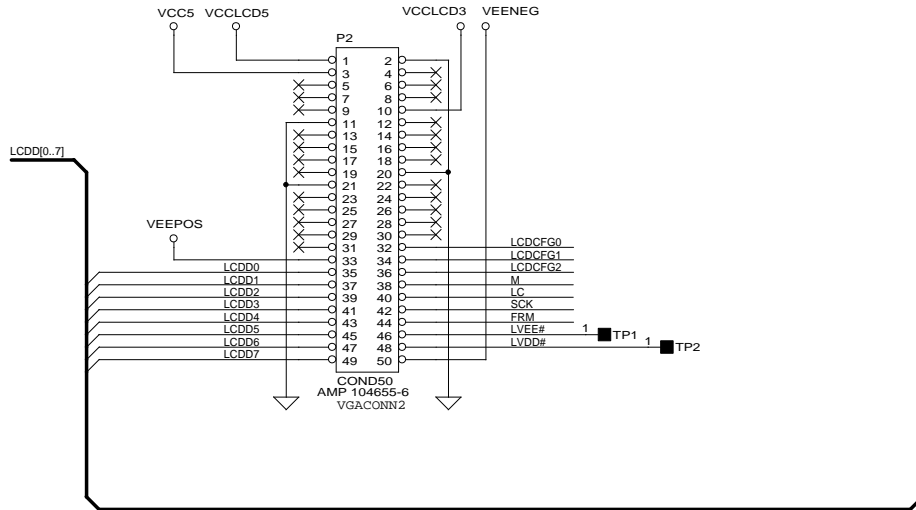
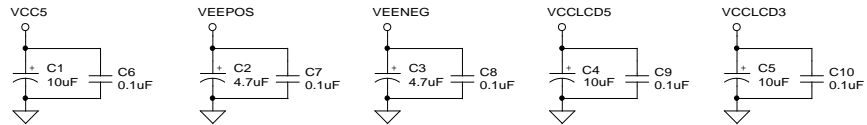


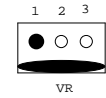
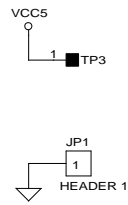
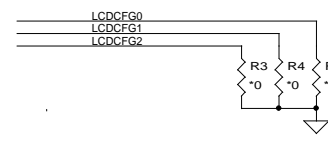
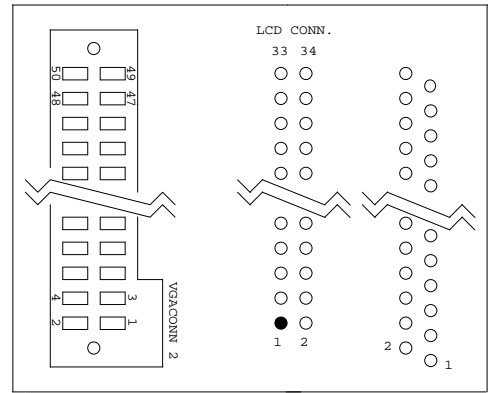


Elan SC400 LCD Interface Card Schematics

			(C) Advanced Micro Devices, Inc. (800) 222-9323
5204 E. Ben White Blvd. Austin, TX 78741 AMD Proprietary/All Rights Reserved			
Title	Elan SC400 LCD Interface Card		
Size	Document Number H2LCD.SCH	Rev	1.0
Date:	Thursday, September 19, 1996	Sheet	1 of 2



BOTTOM VIEW of LCD Board



(C) Advanced Micro Devices, Inc. (800) 222-9323
 5204 E. Ben White Blvd.
 Austin, TX 78741
 AMD Proprietary/All Rights Reserved

Title: Elan SC400 LCD Interface Board

Size	Document Number LCDCONN.SCH	Rev 1.0
Date:	Thursday, September 19, 1996	Sheet 2 of 2