

AMD's next generation of wireless LAN solutions

A cost-effective wireless LAN solution optimized to deliver high performance for low-power, small form-factor applications.

Overview

The AMD Alchemy™ Solutions Aml772™ wireless LAN chipset is the first offering from AMD's next generation of wireless LAN solutions.

An optimized IEEE 802.11b Wi-Fi based wireless LAN solution that combines low-power consumption with a small form-factor, the Aml772 wireless chipset is the first building block in a long-term wireless strategy from AMD. By listening to the needs of wireless LAN solution providers, we've created a compact design that enables highly cost-effective, small form factor solutions. The two-chip, direct-down conversion design also allows the Aml772 chipset to be used in conjunction with other wired and wireless technologies to create innovative system solutions.

Highlights

The Aml772 chipset has been designed to help:

Preserve board space

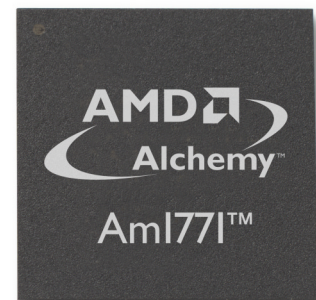
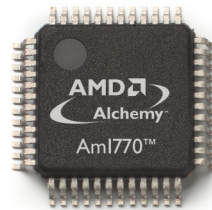
The Aml772 requires a minimal number of additional components. The AMD Alchemy™ Solutions Aml770™ wireless product is a world-class, Zero-IF, 2.4GHz DSSS transceiver that features a highly integrated design. By eliminating the need for external VCOs and an Rx/Tx filter—and requiring a single external 44MHz oscillator—the Aml770 transceiver conserves precious board space and reduces the Bill of Materials.

Lower power consumption

The Aml772 chipset is optimized for low-power consumption solutions, combining a CMOS RF transceiver and medium access controller baseband processor.

Improve performance

The AMD Alchemy™ Solutions Aml771™ BB/MAC wireless product incorporates a pioneering low-noise digital interface to the Aml770 transceiver, which allows the development of high-performance and low-component count WLAN solutions. It also features on-chip MAC hardware acceleration to help minimize CPU utilization compared to today's technology.



The descriptor-based DMA architecture also eliminates the need for external SRAM and Flash memory, and is designed to improve system efficiency while providing an easy path for host CPU software enhancements to support future WLAN security and QoS requirements.

At a Glance

Aml770™ Zero-IF Transceiver

- No external VCO, tank circuitry, loop and SAW filter
- Digital interface to Aml771 BB/MAC
- Automatic calibration of filter cut-off frequencies
- Self-contained AGC requires no BB intervention
- Automatic Tx Power Level Control (APLC), including level adjustment
- High receiver sensitivity designed to increase performance and range

Aml771™ Integrated Baseband/MAC

- Eliminates external SRAM and Flash memory
- PCI and CardBus host bus interface
- On-chip MAC hardware acceleration resulting in low CPU utilization
- Advanced low-power CMOS process lowers operating current
- Full support of all 802.11b long and short header modes
- State-of-the-art channel equalizer provides robust and stable performance in a variety of environments

AMD Alchemy™ Solutions Aml772 Wireless LAN Chipset

Package

Aml770

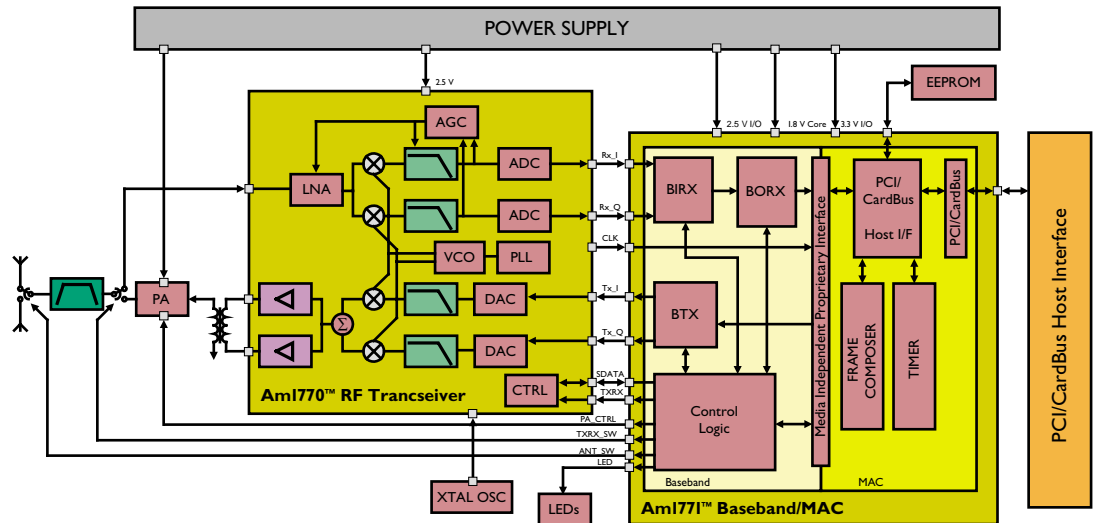
Zero-IF Transceiver (7x7)mm

48-pin LQFP

Aml771

BB/MAC Controller (13x13)mm

176-ball LFBGA



Specifications

IEEE standard support	802.11b compliant
Variable data rates	11, 5.5, 2, and 1 Mbps (short and long header modes)
Frequency band	ISM-band (2400MHz—2484MHz)
Receive sensitivity (8% PER)	-87dBm (@11Mbps) -90dBm (@5.5Mbps) -92dBm (@2.0Mbps) -95dBm (@1.0Mbps)
Security WEP	WEP 40- and 128-bit, TKIP + WPA*
Operating temperature	-40°C to +85°C for Aml771 -20°C to +80°C for Aml770
Power supply	Aml770: 2.5V Aml771: 1.8V, 2.5V, 3.3V

*Software enhancements planned for TKIP + WPA in the future

Power consumption in (mW)

	Aml770	Aml771
Transceiver		BB/MAC
Tx mode	≤ 175mW	≤ 40mW
Rx mode	≤ 210mW	≤ 85mW
Listen mode	N/A	≤ 45mW
Sleep mode	≤ 75mW	≤ 30mW

System documentation

- User guide
- Data sheets
- Application notes
- Complementary drivers and utilities

Operating system support

- Windows® 98
- Windows ME
- Windows 2000
- Windows XP
- Windows NT®
- Linux

Reference design kits (RDks)

- Mini PCI type IIIb
- PC card (CardBus)

About AMD

AMD is a global supplier of integrated circuits for the personal and networked computer and communications markets with manufacturing facilities in the United States, Europe, Japan, and Asia.

AMD, a Fortune 500 and Standard & Poor's 500 company, produces micro-processors, flash memory devices, and support circuitry for communications and networking applications.

Founded in 1969 and based in Sunnyvale, California, AMD had revenues of \$3.9 billion in 2001. (NYSE: AMD)

For more information, please visit: www.amd.com/wireless

AMD
www.amd.com

One AMD Place
P.O. Box 3453,
Sunnyvale, CA 94088-3453, USA
Tel: 408-732-2400 or 800-538-8450
TWX: 910-339-9280
TELEX: 34-6306

Technical Support

USA & Canada: 800-222-9323 or 408-749-5703
USA & Canada PC Microprocessor:
408-749-3060
USA & Canada Email: hw.support@amd.com

Latin America Email:
latinamerica.support@amd.com

Europe & UK: +44-0-1276-803299

Fax: +44-0-1276-803298

France: 0800-908-621

Germany: 089-450-53199

Italy: 800-877224

Europe Email: euro.tech@amd.com

Far East Fax: 852-2956-0588

Japan Fax: 81-3-3346-7848

Literature Ordering

On the Web: www.amd.com/support/literature.html

USA & Canada: 800-222-9323

Europe Email: euro.lit@amd.com

Far East Fax: 852-2956-0588

Japan Fax: 03-3346-9628

© 2002 Advanced Micro Devices, Inc. All rights reserved. AMD, the AMD Arrow Logo, AMD Alchemy and combinations thereof, and Aml770, Aml771, and Aml772 are trademarks of Advanced Micro Devices, Inc. Windows and Windows NT are registered trademarks of Microsoft Corporation. Other product names used in this publication are for identification purposes only and may be trademarks of their respective companies.

