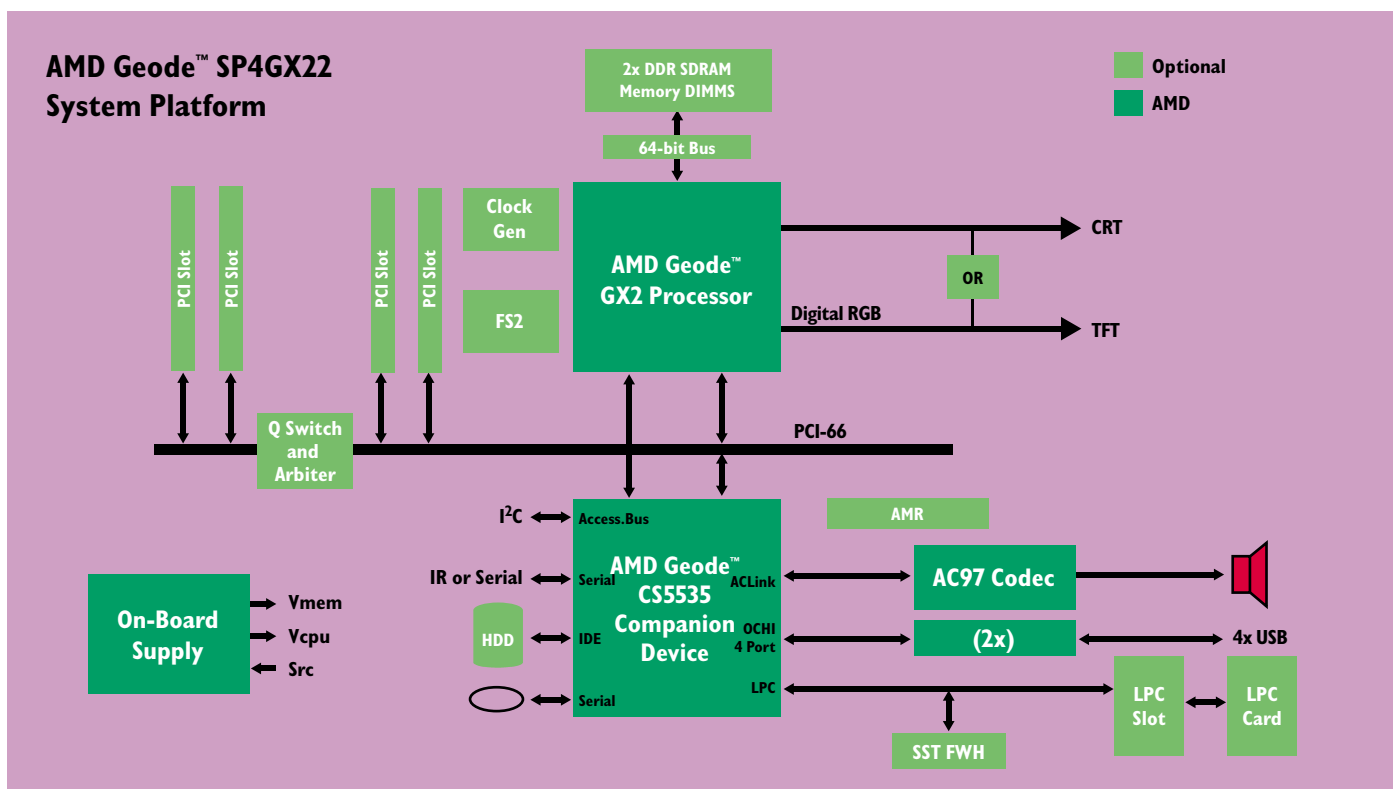


Integrated applications for  
broadband multimedia



**System platform**

The AMD Geode™ SP4GX22 is a hardware/software system platform for the AMD Geode™ GX2 processor and AMD Geode™ CS5535 companion device, targeted toward the information appliance market.

**General description**

The SP4GX22 system platform incorporates the integrated x86-compatible GX2 processor and CS5535 companion device (south bridge) in an ATX sized motherboard form factor to provide a platform for GX2 processor DDR (Double Data Rate) SDRAM development.

# AMD Geode™ SP4GX22 System Platform

## Features

- AMD Geode™ GX2 processor (x86-compatible)
- AMD Geode™ CS5535 companion device
- Two 184-pin unbuffered DDR SDRAM DIMM modules
- Four 3.3 V PCI 2.2 slots (two slots available if PCI bus is running at 66 MHz)
- One LPC slot
- Flash (NOR and NAND) interface support through IDE pins in conjunction with an additional adapter card
- JTAG interface and trace port compatible with First Silicon Solution development tools: [www.fs2.com/isa-geode.html](http://www.fs2.com/isa-geode.html)
- One ATA-5 (UltraDMA 66) IDE interface (supports two devices)
- Four USB I.I ports supported by two independent USB controllers with overcurrent detection and protection
- GX2 processor die temperature thermal sensor
- GX2 processor analog monitor or LCD display interface (TFT) through an additional connector
- AC97 rev 2.1 compliant codec and headphone audio power amplifier
- LPC (Low Pin Count) boot FlashROM (2,3,4 or 8 Mbit) or SST FWH (Firmware Hub) in a 32-pin PLCC socket
- System clocking:
  - ICS MicroClock MKI49I-09 clock chip
- System power:
  - Audio voltage
  - Standby CS5535 companion device
  - Standby PCI 3.3 V
  - Standby Geode CS5535 companion device core power (1.25 V)
  - Synchronous buck regulator for AMD Geode™ GX2 processor core memory voltage
  - DDR terminator regulator
  - GX2 processor/CS5535 companion device power

## About AMD

Founded in 1969 and based in Sunnyvale, California, AMD (NYSE: AMD) is a global supplier of integrated circuits for the personal and networked computer and communications markets with manufacturing facilities in the United

States, Europe, Japan, and Asia. AMD, a Standard & Poor's 500 company, produces microprocessors, Flash memory devices, and silicon-based solutions for communications and networking applications.

**AMD**  
[www.amd.com](http://www.amd.com)

One AMD Place  
P.O. Box 3453,  
Sunnyvale, CA 94088-3453, USA  
Tel: 408-749-4000 or 800-538-8450  
TWX: 910-339-9280  
TELEX: 34-6306

## Technical Support

**USA & Canada:** 800-222-9323 or 408-749-5703  
**USA & Canada PC Microprocessor:**  
408-749-3060  
**USA & Canada Email:** [hw.support@amd.com](mailto:hw.support@amd.com)

**Latin America Email:**  
[latinamerica.support@amd.com](mailto:latinamerica.support@amd.com)

**Europe & UK: +44-0-1276-803299**  
**Fax:** +44-0-1276-803298  
France: 0800-908-621  
Germany: +49-089-450-53199  
Italy: 800-877224  
**Europe Email:** [euro.tech@amd.com](mailto:euro.tech@amd.com)

**Far East Fax:** 852-2956-0588

**Japan Fax:** 81-3-3346-7848

## Literature Ordering

**On the Web:** [www.amd.com/support/literature.html](http://www.amd.com/support/literature.html)  
**USA & Canada:** 800-222-9323  
**Europe Email:** [euro.lit@amd.com](mailto:euro.lit@amd.com)  
**Far East Fax:** 852-2956-0588  
**Japan Fax:** 03-3346-9628

© 2003 Advanced Micro Devices, Inc. AMD, the AMD Arrow logo, and combinations thereof, and Geode are trademarks of Advanced Micro Devices, Inc. Other product and company names used in this publication are for identification purposes only and may be trademarks of their respective companies.

