

Simplify Design, Lower Cost

Improve Time-to-Market



Product Overview

The AMD Geode™ SC1100 processor is a member of the AMD Geode family of fully integrated x86 system chips. The SC1100 single-chip processor includes a 32-bit x86-compatible AMD Geode GX1 processor, core logic and selected SuperI/O functions. Excluding memory, the features of the Geode SC1100 processor provide all the functionality needed to create an integrated x86 system for various applications including embedded PCs, gateways, set-top boxes and a variety of other uses.

x86 Architecture

The x86 architecture gives the SC1100 full Internet compatibility. With more than 300 Web plug-ins written to run exclusively on x86 processors, the Geode processor family provides a Web experience unattainable with non-x86 based architectures.

The integrated architecture of the SC1100 processor simplifies system design by reducing component count, the size of the main system board, and overall system power consumption. It can help significantly lower system costs while improving time-to-market.

Functional Modules

The primary modules of the SC1100 processor are the GX1 processor module, the core logic module and the SuperI/O module. The GX1 module combines advanced CPU performance with MMX™ support, a 64-bit synchronous DRAM (SDRAM) interface, and a PCI bus controller. The core logic module includes PC/AT functionality, a USB interface, an IDE interface, a PCI bus interface, an LPC bus interface, Advanced Configuration Power Interface (ACPI) I.0 compliant power management, and an audio codec interface. The SuperI/O module features a serial port (UART), an infrared (IR) interface, two ACCESS.bus (ACB) interfaces, and a Real-Time Clock (RTC).

Together, these modules – combined with the SC1100 processor's low power consumption, produce a small form-factor design, making the device ideal for applications including set-top boxes, consumer access devices, residential gateways, thin clients, embedded systems, and more.



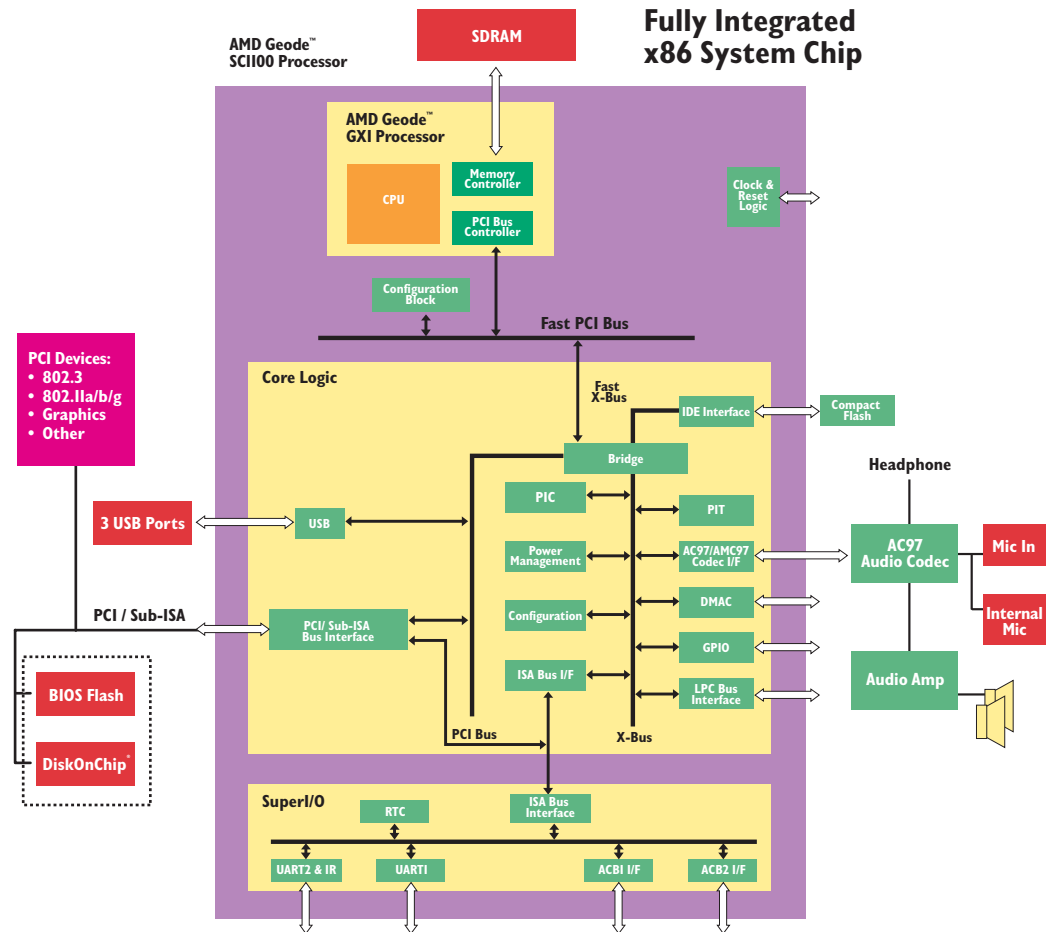
AMD Geode™ SCII00 Processor

Feature Summary

- Memory controller with 64-bit SDRAM interface
- IDE interface, two channels
- AMD Virtual System Architecture™ (VSA) technology support

Outstanding Features

- 32-bit x86 processor running up to 266 MHz, with MMX instruction set support
- 64-bit SDRAM memory controller supporting up to 89 MHz operation
- PCI bus controller
- Low Pin Count (LPC) bus controller
- IDE interface
- Three open HCI 1.0 compliant USB ports
- AC97/AMC97 2.0 compliant audio controller
- Two I6C550 compatible serial port controllers, UART1 and UART2, including fast infrared functionality
- Two ACCESS.bus (ACB) interfaces
- ACPI 1.0 compliant power management
- Real-Time Clock (RTC)
- Virtual System Architecture (VSA) support
- 388-pin TEPBGA (Thermally Enhanced Plastic Ball Grid Array) package – 35 mm x 35 mm



About AMD

AMD (NYSE:AMD) designs and produces microprocessors, Flash memory devices and system-on-chip solutions for the computer, communications and consumer

electronics industries. AMD is dedicated to helping its customers deliver standards-based, customer-focused solutions for technology users, ranging from enterprises to government agencies and individual

consumers. Founded in 1969, AMD is a Standard & Poor's 500 company with global operations and manufacturing facilities in the United States, Europe, Japan and Asia.

For more information, please visit: www.amd.com/connectivitysolutions/scii00



www.amd.com

One AMD Place
P.O. Box 3453,
Sunnyvale, CA 94088-3453, USA
Tel: 408-749-4000 or 800-538-8450
TWX: 910-339-9280
TELEX: 34-6306

Technical Support

USA & Canada: 800-222-9323 or 408-749-5703
USA & Canada PC Microprocessor:
408-749-3060
USA & Canada Email: hw.support@amd.com
Latin America:
Brazil: Tel: 0800-557686
Argentina: Tel: 0800-333-0219
Chile: Tel: 123-00-209-110
México: Tel: 01-800-123-4709
Soporte técnico: amdxsbrpo@vrs.com.br
Europe & UK: +44-0-1276-803299
Fax: +44-0-1276-803298
France: 0800-908-621
Germany: +49-089-450-53199
Italy: 800-877224
Europe Email: euro.tech@amd.com
Far East Fax: 852-2956-0588
Japan Fax: 81-3-3346-7848

Literature Ordering

On the Web: www.amd.com/support/literature.html
USA & Canada: 800-222-9323
Europe Email: euro.lit@amd.com
Far East Fax: 852-2956-0588
Japan Fax: 03-3346-9628

© 2004 Advanced Micro Devices, Inc. All rights reserved. AMD, the AMD Arrow logo, and combinations thereof, and Geode and Virtual System Architecture are trademarks of Advanced Micro Devices, Inc. MMX is a trademark of Intel Corporation. Other product and company names used in this publication are for identification purposes only and may be trademarks of their respective companies.

