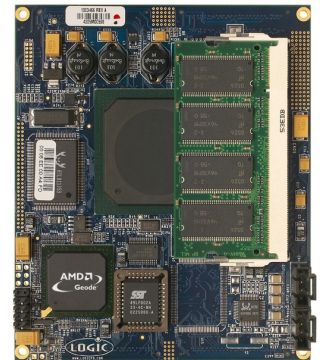


Low-Power, High-Performance Development Tool

for Embedded and Industrial Applications



Product Overview

The AMD Geode™ LX ETX Reference Design Kit (RDK) is a low-power, high-performance System-On-Module (SOM) designed to help developers create the next generation of small, embedded, and industrial computing products. The ETX module is a full-function, ready-to-go solution that enables shorter design cycles and minimizes risk.

The ETX module contains the LX processor, the AMD Geode™ CS5536 companion device and SODIMM memory, eliminating the need for a designer to recreate these portions of the design. The ETX RDK continues the AMD design philosophy of delivering low total cost of ownership and high product value throughout the development cycle.

Small Form Factor for Greater Design Flexibility

The AMD Geode LX ETX RDK leverages the ETX industry standard SOM form factor to produce an ideal solution for applications that require a small form factor without sacrificing features, performance, or reliability. The ETX form factor gives system designers flexibility and versatility to create a broad range of products based on a small industry-standard SOM specification (dimensions are 96mm x 115mm).

The onboard AMD Geode™ LX 800@0.9W processor* gives designers all the capabilities of the x86 instruction set and the ability to draw from a broad range of operating systems and applications.

Low-Power x86 Solutions for Real-World Applications

The AMD Geode LX ETX RDK and other AMD advanced development tools represent the AMD commitment to low-power, customer-centric solutions for the x86 and industrial computing market. The ETX RDK comes with a full suite of tools and features to enable designers to quickly and efficiently move embedded computing appliance solutions to market.

System Design

The ETX module provides standard functions including CPU, I/O, SODIMM memory, Ethernet, PCI, USB 2.0, JTAG debugging port, and more in a high-density form factor. You can use this module for any Geode LX-based product, eliminating the need to design, build, debug, and test the complex portions of your design products.

Overall, this greatly simplifies your design and helps eliminate risk while reducing design-to-market cycles for new products. A custom baseboard can be designed to support a wide range of products using the ETX COMPONENT SBC™ Specification from JUMPTec® and on the AMD Embedded Developer Support website: <http://www.amd.com/embedded/developer>

Primary Product Features

- CPU power to run multiple applications
- Industry-standard form factor – ETX dimensions 96mm x 115mm
- 6-layer, lead-free board design
- Supports CRT, TFT, VIP Input, and VIP Output
- Low power consumption – 6W typical, 1W standby with no fan
- Supports standard buses
 - USB v2.0 (4 Host ports, 1 with Device capabilities)
 - IDE ATA 100
 - AC97 v2.3
 - 10/100/1000 Ethernet
 - LPC, PCI, SMB
- Supports multiple operating systems
 - Microsoft® Windows® CE 5.0
 - Microsoft Windows XP, XPe
 - Linux

*This processor operates at 500MHz. Model numbers reflect performance as described here: <http://www.amd.com/geodelxbenchmark>

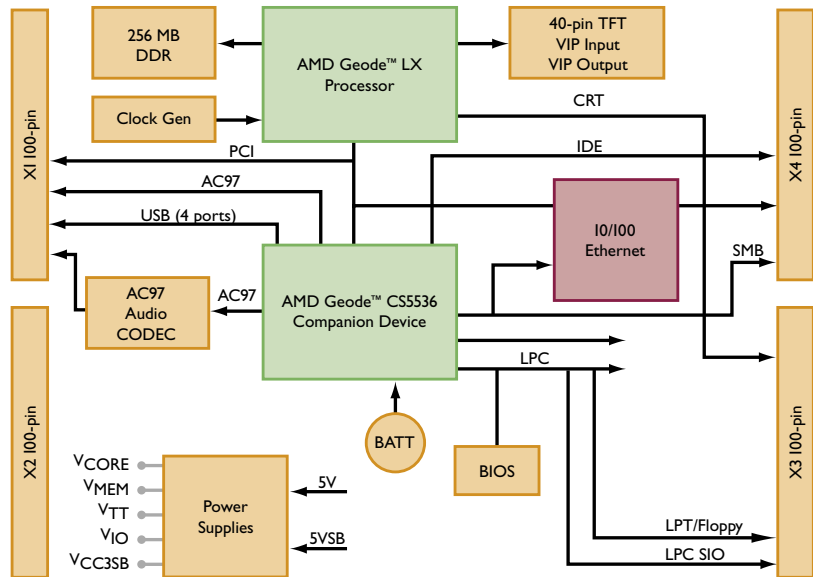
AMD Geode™ LX ETX Reference Design Kit

Product Benefits

- System Design Package – for simplified development and shorter time-to-market cycles
- Cost-Optimized – to facilitate low total cost of ownership
- Low-Power System Design – enables smaller form factor designs and reduced heat
- Small Form Factor – minimizes enclosure space

Additional Features

- Full baseboard schematics and design documentation
- Complete software driver package for supported operating systems
- ETX Specification and deviations
- JTAG Development Tool



Application Markets

The AMD Geode™ LX ETX RDK features a flexible design that can support a wide range of embedded device types:

- Embedded controllers
- Thin clients
- Point-of-Sale (POS) terminals
- Medical or Industrial applications
- Information appliances
- Kiosks

Technical Specifications— Processor, Chipset, and Supporting Hardware

- AMD Geode LX 800@0.9W processor*
- AMD Geode CS5536 companion device
- DDR400 SDRAM SODIMM supporting up to 1GB
- 2Mbit firmware hub boot Flash ROM in 32-pin PLCC socket

*This processor operates at 500MHz. Model numbers reflect performance as described here: <http://www.amd.com/geodelxbenchmark>

Product Support

The AMD Geode LX ETX RDK is a complete design support solution, including schematics and full documentation. The RDK is intended to give you greater design flexibility and enable reduced design-to-market cycles while producing more efficient, effective embedded designs.

About AMD

AMD (NYSE:AMD) designs and produces innovative microprocessors and low-power processor solutions for the computer, communications, and consumer electronics

industries. AMD is dedicated to delivering standards-based, customer-focused solutions for technology users, ranging from enterprises and governments to individual consumers.

For more information visit www.amd.com.

For more information, please visit www.amd.com/geodelxetxrdk



www.amd.com

One AMD Place
P.O. Box 3453
Sunnyvale, CA 94088-3453, USA
Tel: 408-749-4000 or 800-538-8450
TWX: 910-339-9280
TELEX: 34-6306

Technical Support

USA & Canada: 800-222-9323, Opt 2 or 408-749-5703
USA & Canada PC Processors Only: 408-749-3060
USA & Canada E-mail: hw.support@amd.com

Latin America E-mail (Spanish): amdsp@vermont.com.br
Latin America E-mail (Portuguese): amdbr@vermont.com.br
Argentina: 0800-333-0219
Brazil: 0800-557686
Chile: 123-00-209-110
Mexico: 01-800-123-4709

Europe & UK: +44-0-1276-803299
Europe & UK Fax: +44-0-1276-803298
France: 0800-908-621
Germany: +49-89-450-53199
Italy: 800-877224
Europe E-mail: euro.tech@amd.com

China Fax: 86-10-8518-1777
Hong Kong Fax: 852-2956-0588
Japan Fax: 81-3-3346-7848
Korea Fax: 82-2-3468-2601
Taiwan Fax: 886-2-2655-7855

Asia E-mail: asia.support@amd.com

Literature Ordering

On the Web: www.amd.com/support/literature.html
USA & Canada: 800-222-9323, Opt 1
USA & Canada E-mail: amdliterature@comac.com
Europe E-mail: euro.lit@amd.com

China Fax: 86-10-8518-1777
Hong Kong Fax: 852-2956-0588
Japan Fax: 81-3-3346-7848
Taiwan Fax: 886-2-2655-7855

©2006 Advanced Micro Devices, Inc. All rights reserved. AMD, the AMD Arrow Logo, Geode, and combinations thereof, are trademarks of Advanced Micro Devices, Inc. Microsoft and Windows are registered trademarks of Microsoft Corporation in the United States and/or other jurisdictions. Other names are for informational purposes only and may be trademarks of their respective owners.



RECYCLED & RECYCLABLE