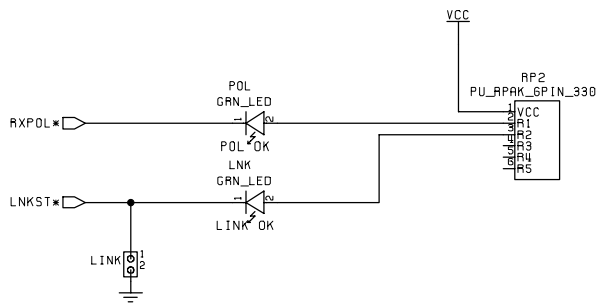
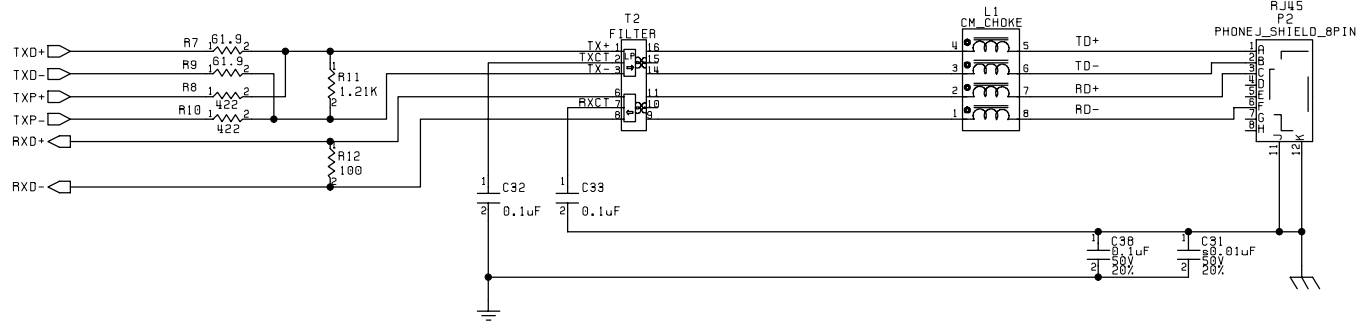
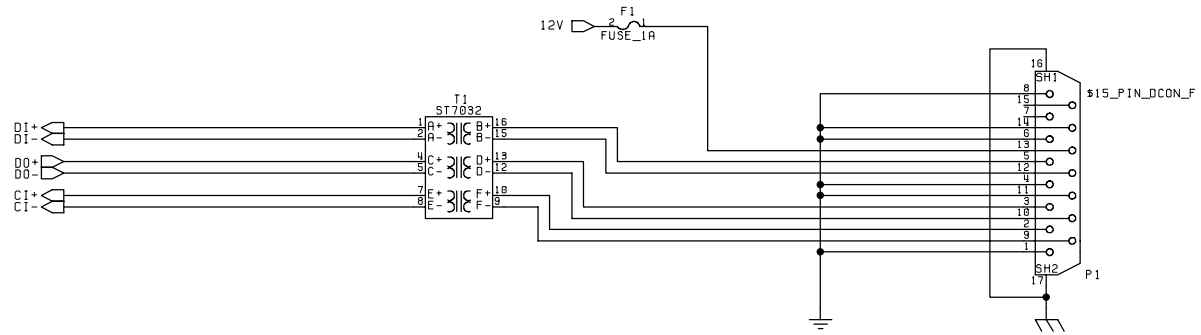


SIZE	FSCM NO	DWG NO	REV
B	-	SEND07951	3A
SCALE	-	7/27/95	SHEET 1 OF 1



71  
 FIDUCIAL  
 73  
 FIDUCIAL  
 72  
 FIDUCIAL  
 74  
 FIDUCIAL

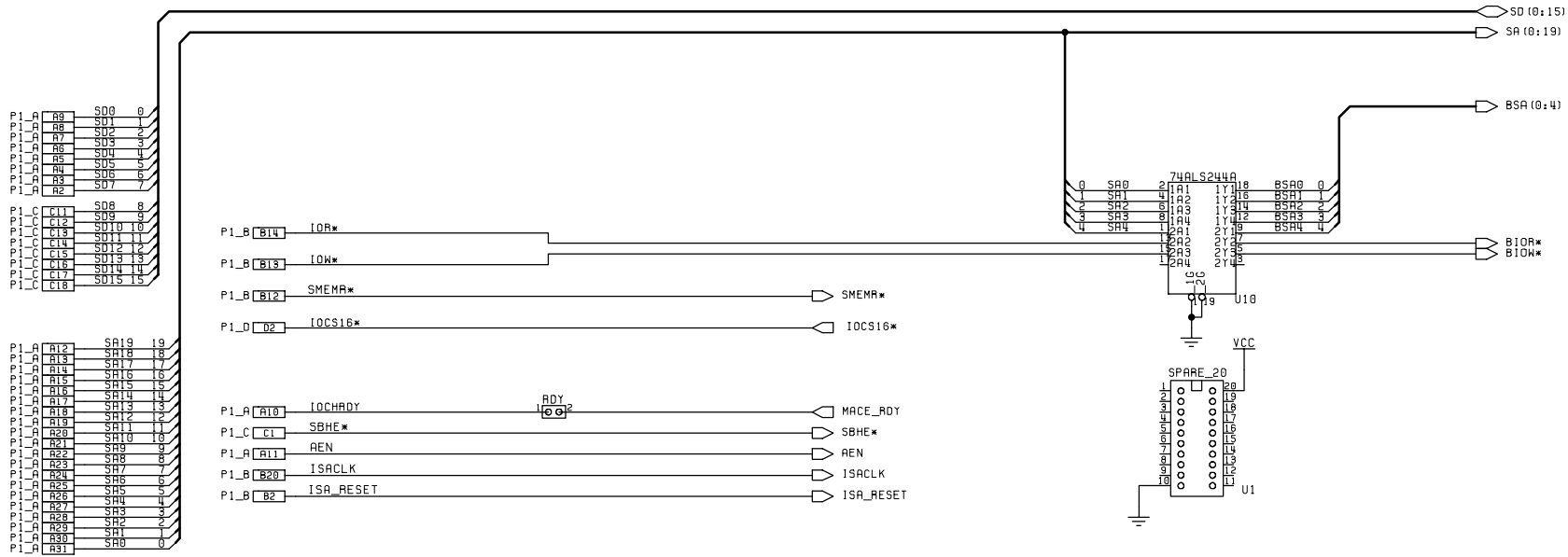
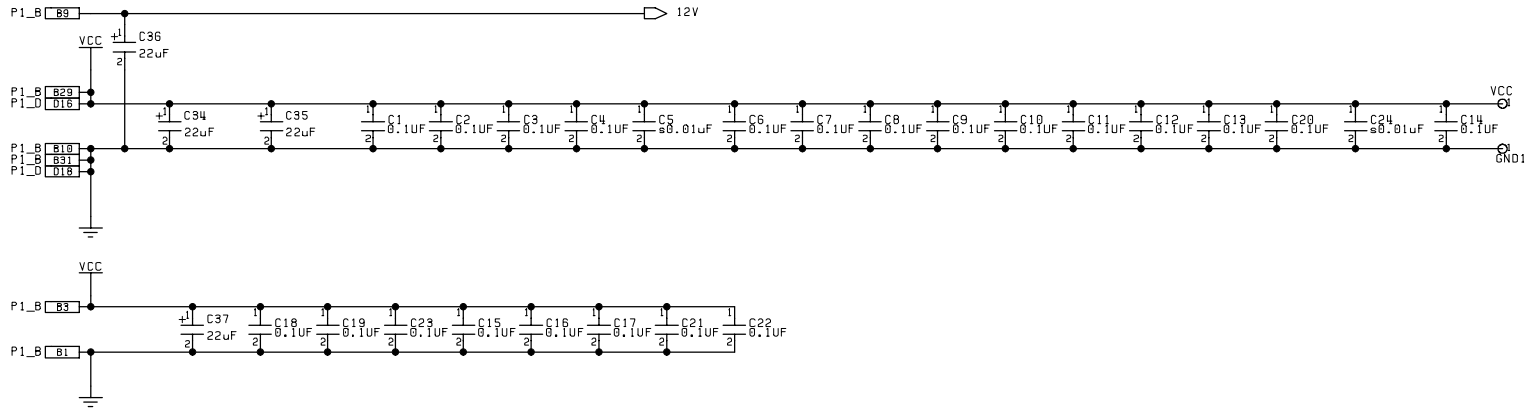
SIZE	FSCM NO	DWG NO	REV
B	-	SEND07951	3A
SCALE	-	7/28/95	SHEET 1 OF 1

//jumply6/local\_user/richf/mace\_ateval\_rev3a/network\_interface

2

1

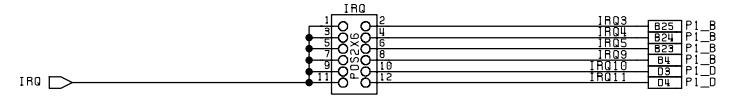
1



P1_A A9	SD0	0
P1_A A8	SD1	1
P1_A A7	SD2	2
P1_A A6	SD3	3
P1_A A5	SD4	4
P1_A A4	SD5	5
P1_A A3	SD6	6
P1_A A2	SD7	7
P1_C C11	SD8	8
P1_C C12	SD9	9
P1_C C13	SD10	10
P1_C C14	SD11	11
P1_C C15	SD12	12
P1_C C16	SD13	13
P1_C C17	SD14	14
P1_C C18	SD15	15

P1_A A12	SR19	19
P1_A A13	SR18	18
P1_A A14	SR17	17
P1_A A15	SR16	16
P1_A A16	SR15	15
P1_A A17	SR14	14
P1_A A18	SR13	13
P1_A A19	SR12	12
P1_A A20	SR11	11
P1_A A21	SR10	10
P1_A A22	SR9	9
P1_A A23	SR8	8
P1_A A24	SR7	7
P1_A A25	SR6	6
P1_A A26	SR5	5
P1_A A27	SR4	4
P1_A A28	SR3	3
P1_A A29	SR2	2
P1_A A30	SR1	1
P1_A A31	SR0	0

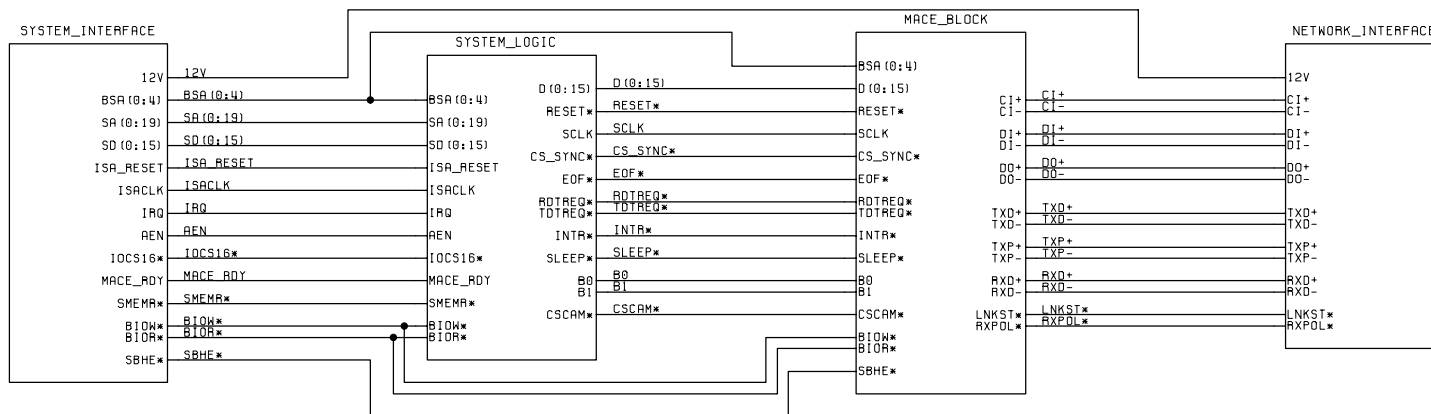
- P1\_B B14 IOR\*
- P1\_B B13 ION\*
- P1\_B B12 SMEMR\*
- P1\_D D2 IOCS16\*
- P1\_A A10 IOCHRDY
- P1\_C C1 SBHE\*
- P1\_A A11 AEN
- P1\_B B20 ISA\_CLK
- P1\_B B2 ISA\_RESET

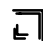


ADVANCED MICRO DEVICES

SIZE	FSCM NO	DWG NO	REV
B	-	SEND07951	3A
SCALE	-	7/27/95	SHEET 1 OF 1





CONTRACT NO.	 <b>ADVANCED MICRO DEVICES</b> COPYRIGHT 1995 AMD			
APPROVALS	DATE 7/27/95	MACE (Am79C940JC) ISA EVALUATION CARD		
DRAWN W. MERYK/RICH FUNFAR		BLOCK DIAGRAM		
CHECKED S. MASOOD/RICH FUNFAR				
ISSUED SHAKEEL MASOOD	SIZE B	FSCM NO -	DWG NO SEND07951	REV 3A
PROJ. ENG. SHAKEEL MASOOD	SCALE -		SHEET 1 OF 1	

| 3 | 2 | 1