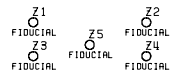
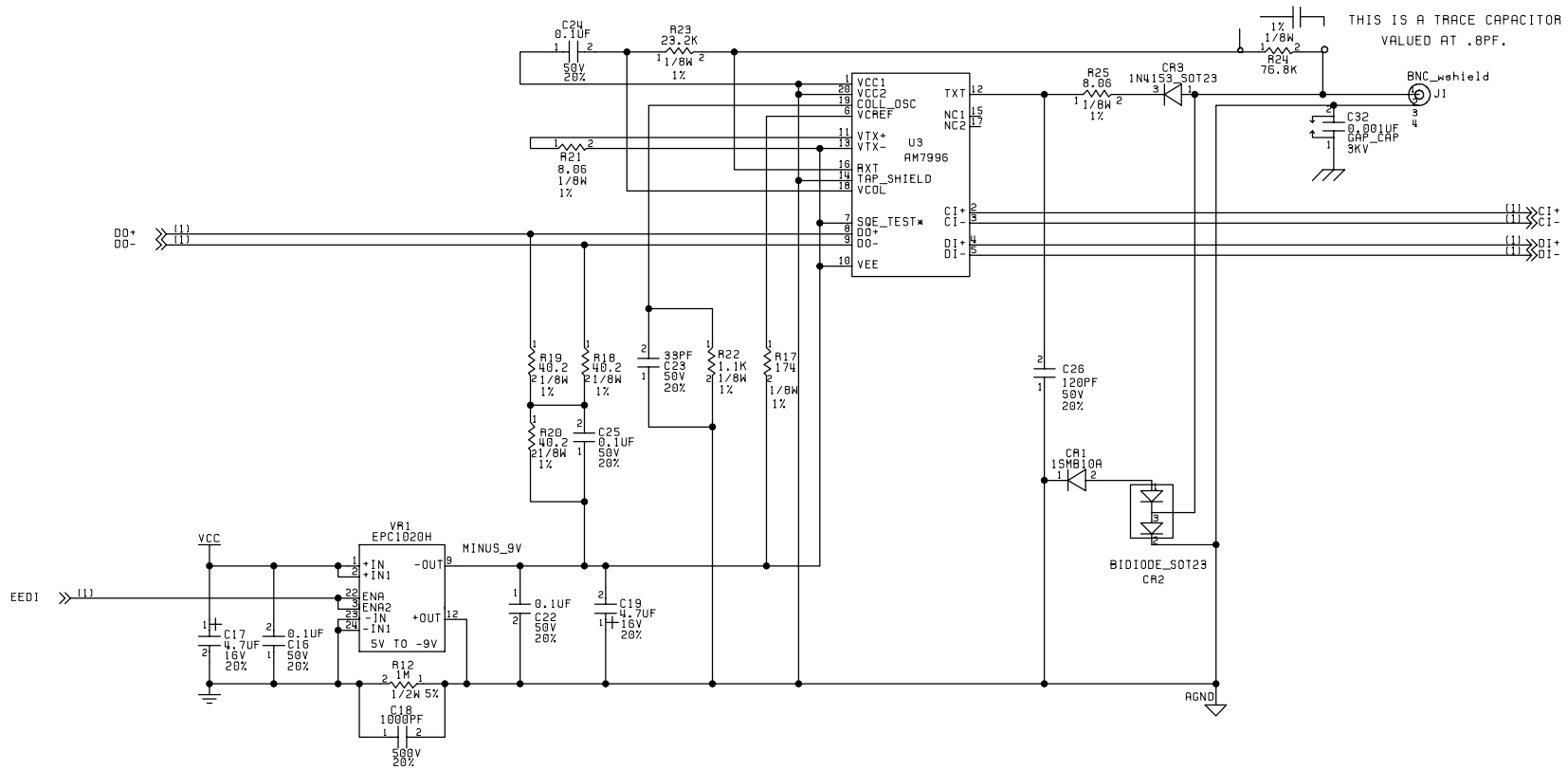


PCnet-VL 10BASE-T/10BASE2 Card
ADVANCED MICRO DEVICES

SIZE	FSCM NO	DWG NO	REV
C		SEND06949	1.0A
SCALE	6/17/94	SHEET	2 of 3



PCnet-VL 10BASE-T/10BASE2 Cord

SIZE	FSCM NO	DWG NO	SEND06943	REV
B	-			1.0A
SCALE	-	6/17/94	SHEET 3 OF 3	