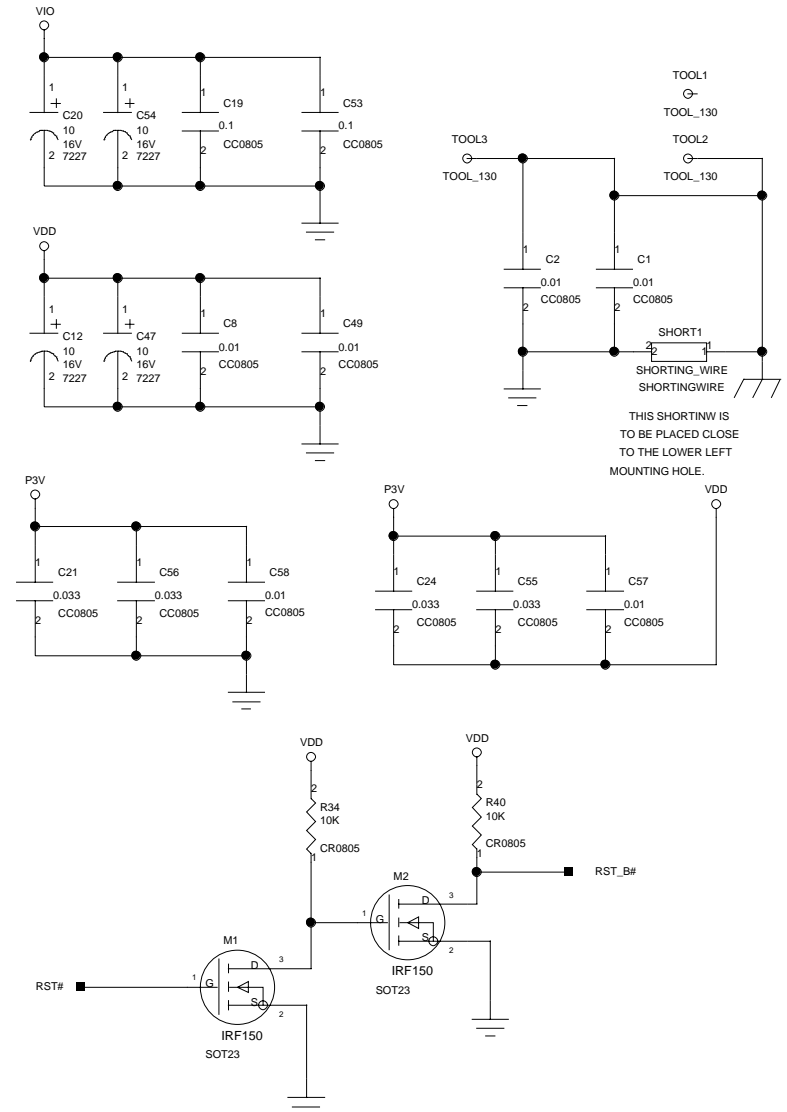
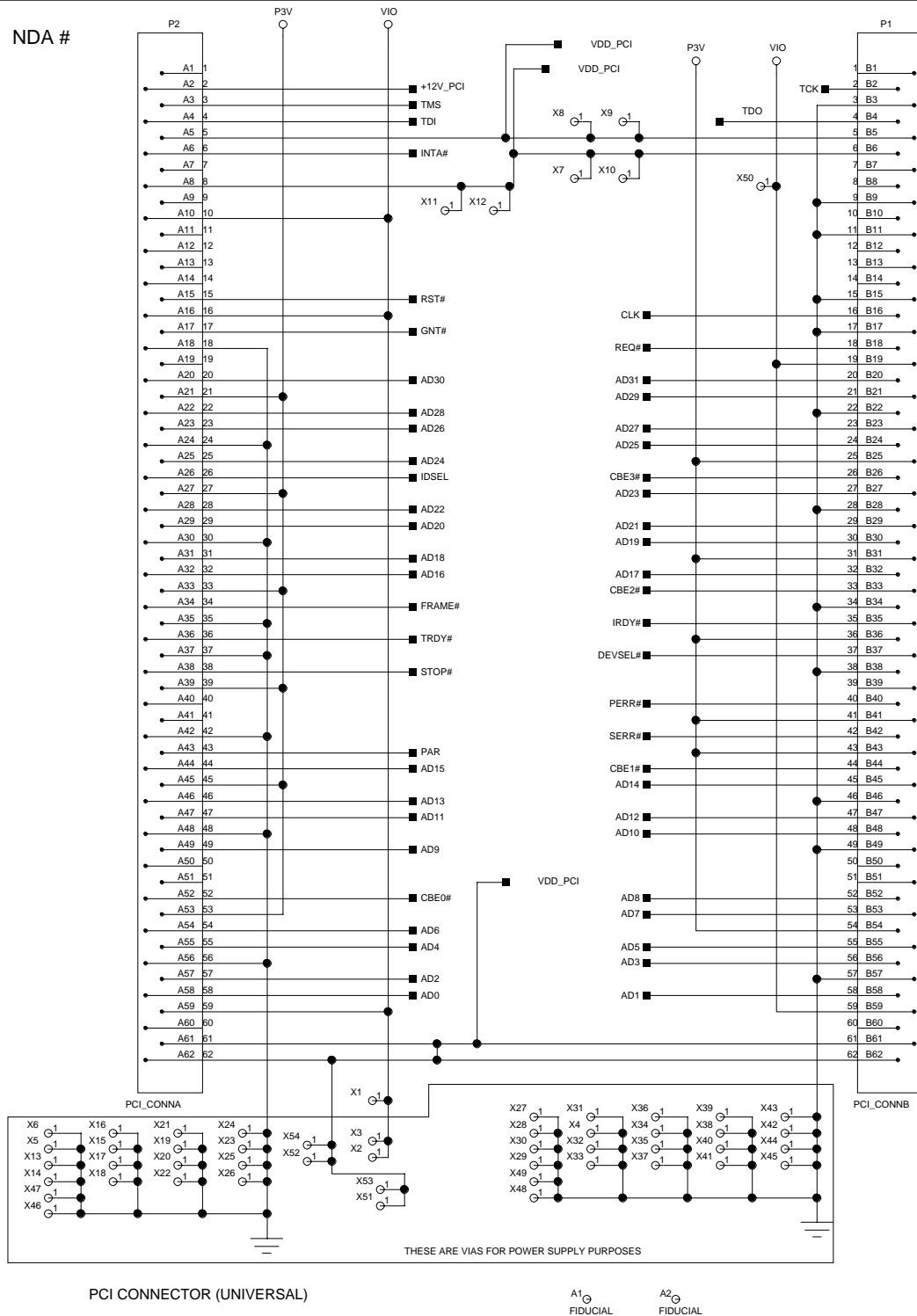


NDA #



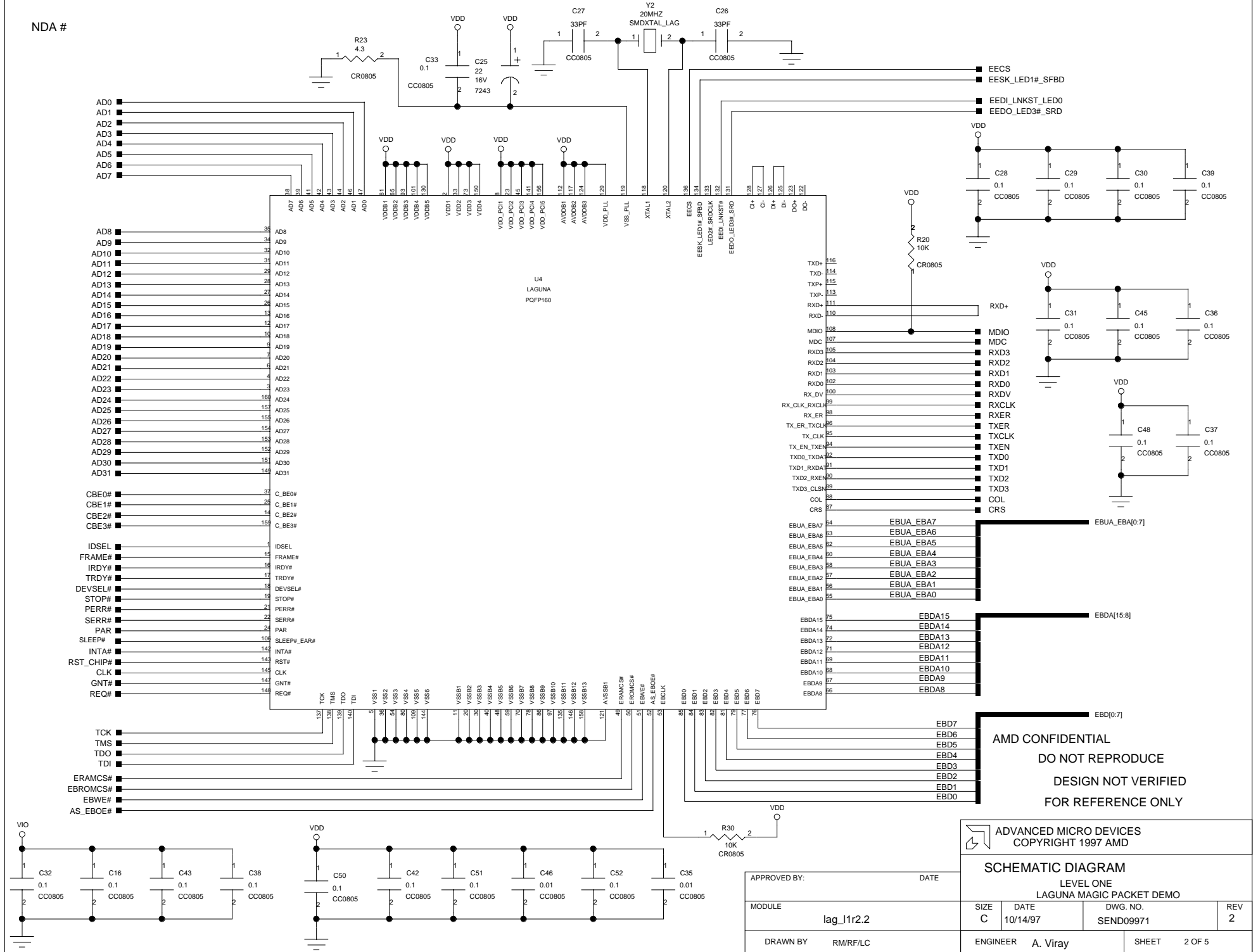
AMD CONFIDENTIAL
DO NOT REPRODUCE
DESIGN NOT VERIFIED
FOR REFERENCE ONLY

ADVANCED MICRO DEVICES
COPYRIGHT 1997 AMD

SCHEMATIC DIAGRAM
LEVEL ONE
LAGUNA MAGIC PACKET DEMO

APPROVED BY:	DATE				
MODULE	lag_l1r2.1	SIZE C	DATE 10/14/97	DWG. NO. SEND09971	REV 2
DRAWN BY	RM/R/LC	ENGINEER	A. Viray	SHEET	1 OF 5

NDA #



AMD CONFIDENTIAL
 DO NOT REPRODUCE
 DESIGN NOT VERIFIED
 FOR REFERENCE ONLY

ADVANCED MICRO DEVICES
 COPYRIGHT 1997 AMD

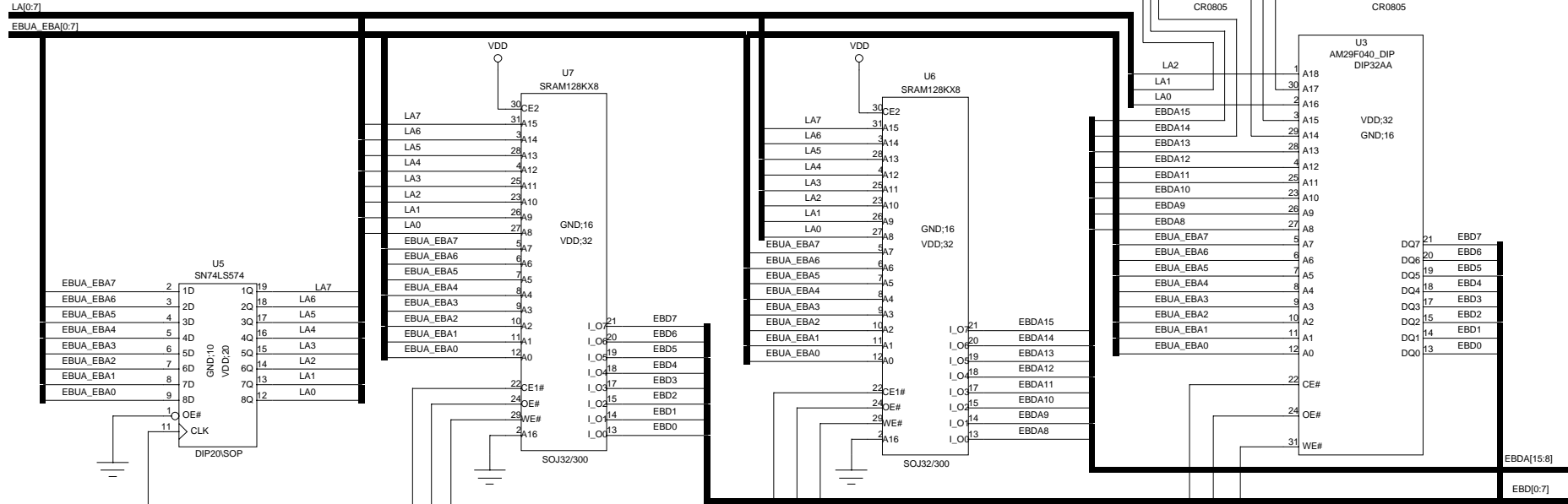
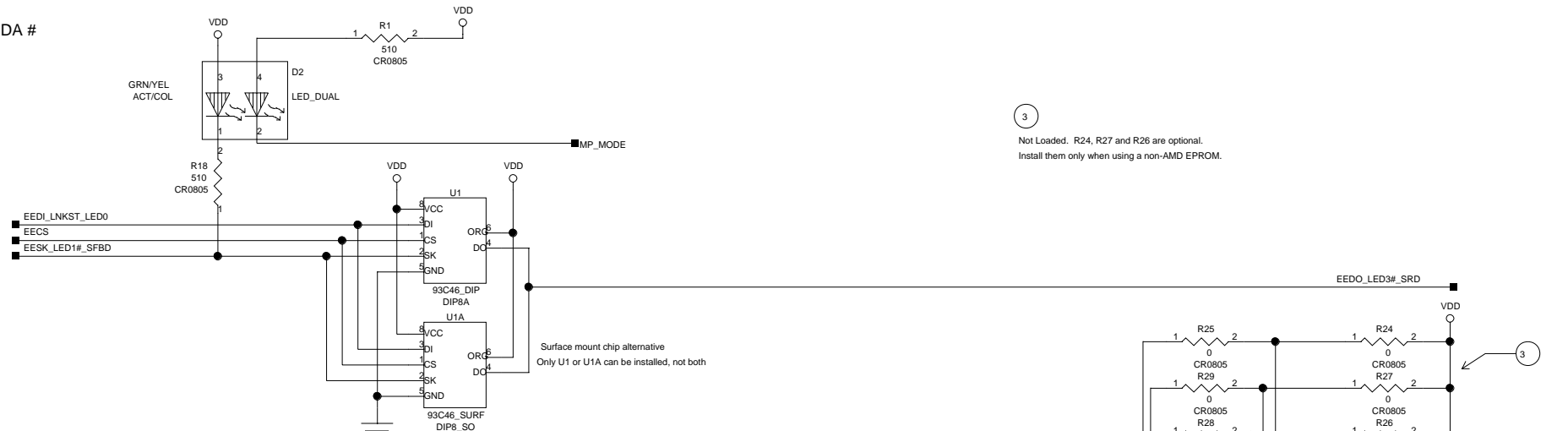
SCHEMATIC DIAGRAM
 LEVEL ONE
 LAGUNA MAGIC PACKET DEMO

SIZE C	DATE 10/14/97	DWG. NO. SEND09971	REV 2
-----------	------------------	-----------------------	----------

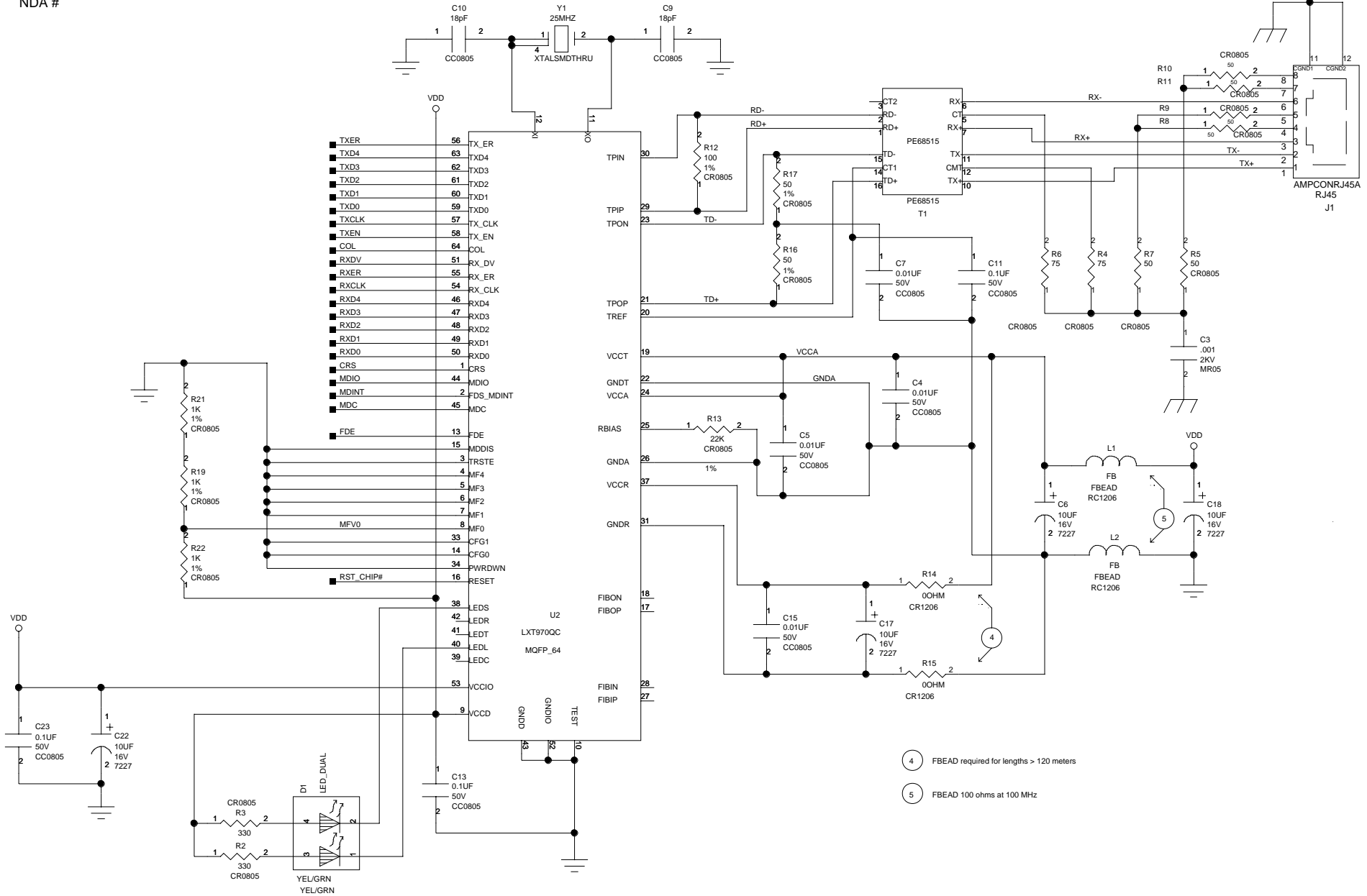
APPROVED BY: _____ DATE: _____

MODULE lag_11r2.2	ENGINEER A. Viray	SHEET 2 OF 5
----------------------	----------------------	-----------------

NDA #



NDA #

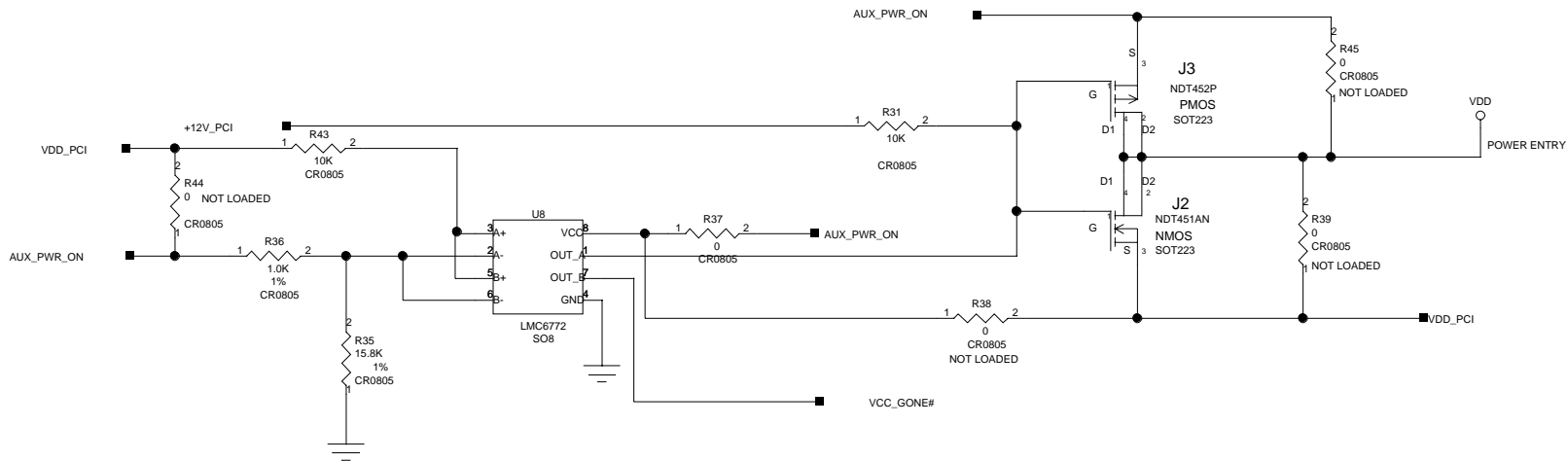
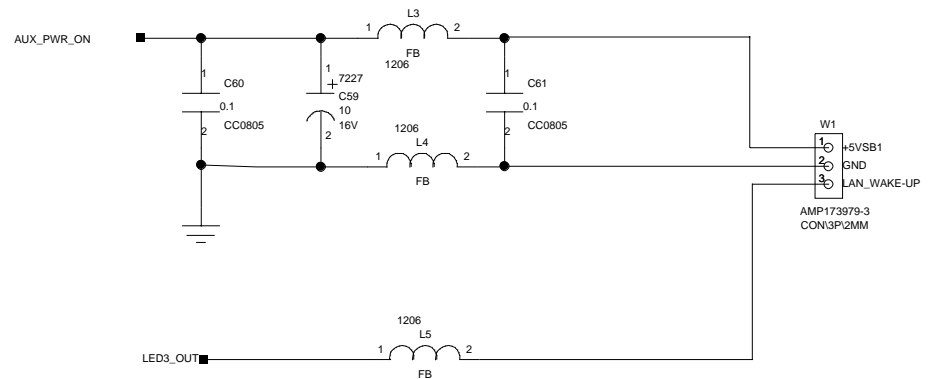
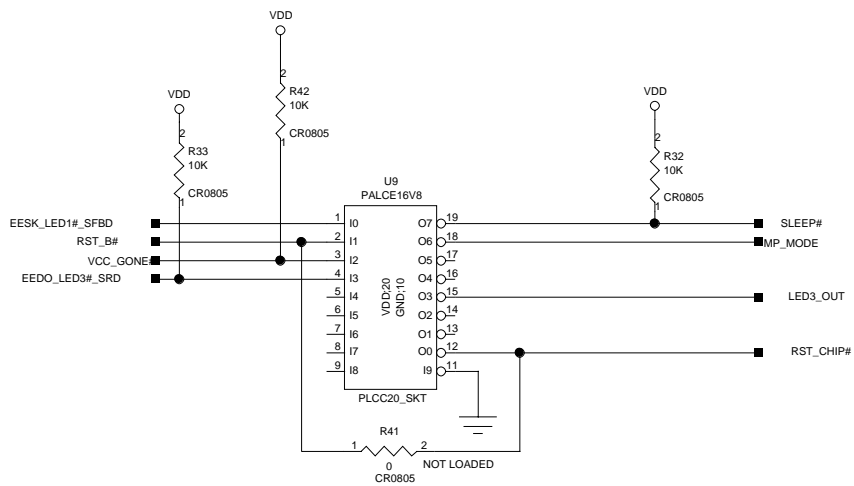


AMD CONFIDENTIAL
 DO NOT REPRODUCE
 DESIGN NOT VERIFIED
 FOR REFERENCE ONLY

APPROVED BY:		DATE:	
MODULE lag_11r2.4		SIZE C	DATE 10/14/94
DRAWN BY RM/RFLC		ENGINEER A. Viray	DATE DWG. NO. SEND09971
		SHEET 4 OF 5	REV 2

ADVANCED MICRO DEVICES
 COPYRIGHT 1997 AMD

SCHEMATIC DIAGRAM
 LEVEL ONE
 LAGUNA MAGIC PACKET DEMO



MAGIC PACKET CONTROL

ADVANCED MICRO DEVICES
COPYRIGHT 1997 AMD

SCHEMATIC DIAGRAM

LEVEL ONE
LAGUNA MAGIC PACKET DEMO

APPROVED BY:	DATE			
MODULE	SIZE	DATE	DWG. NO.	REV
lag_l1r2.5	C	10/14/97	SEND09971	2
DRAWN BY	ENGINEER		SHEET	
RM/RF/LC	A. Viray		5 OF 5	