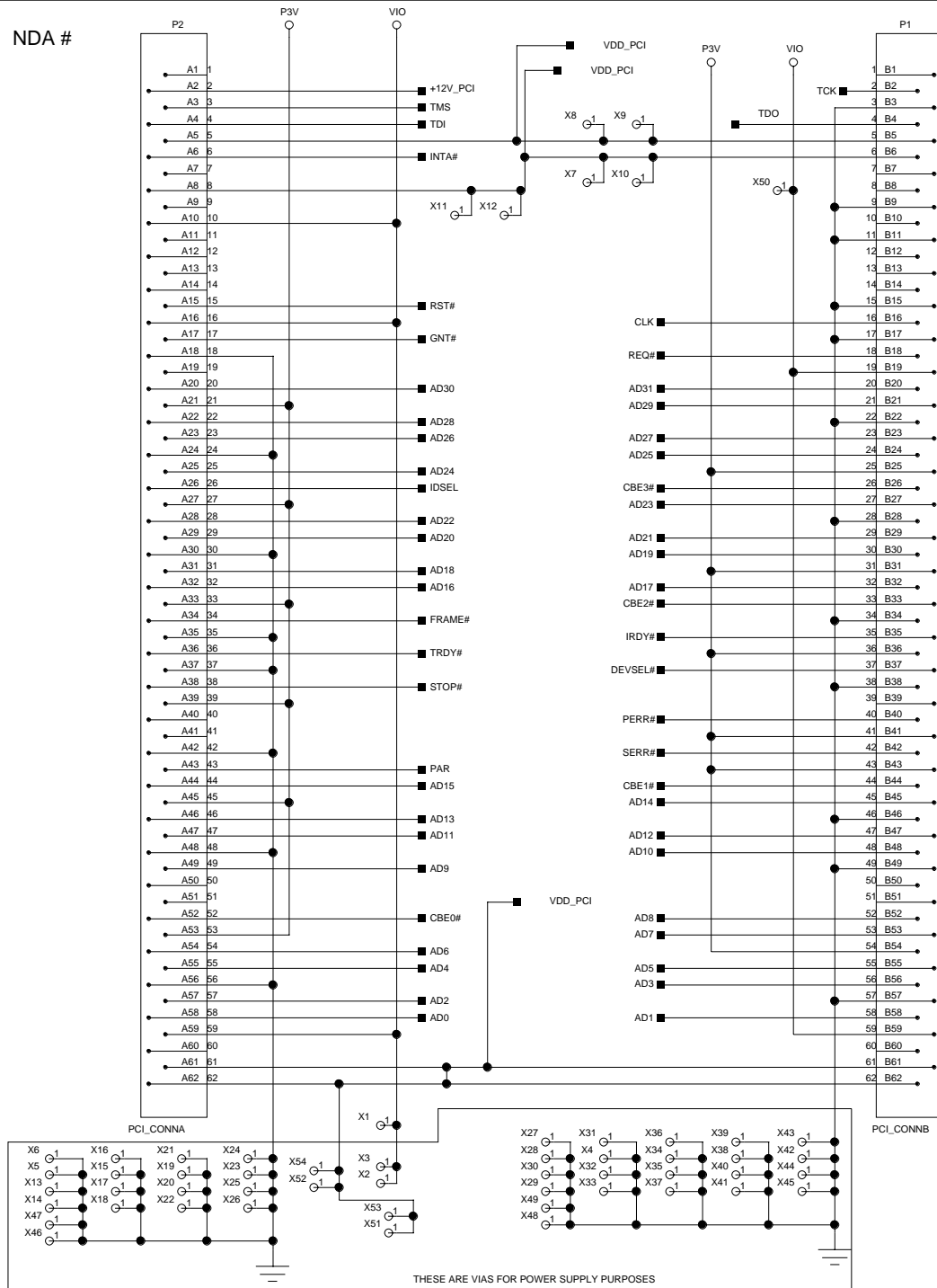
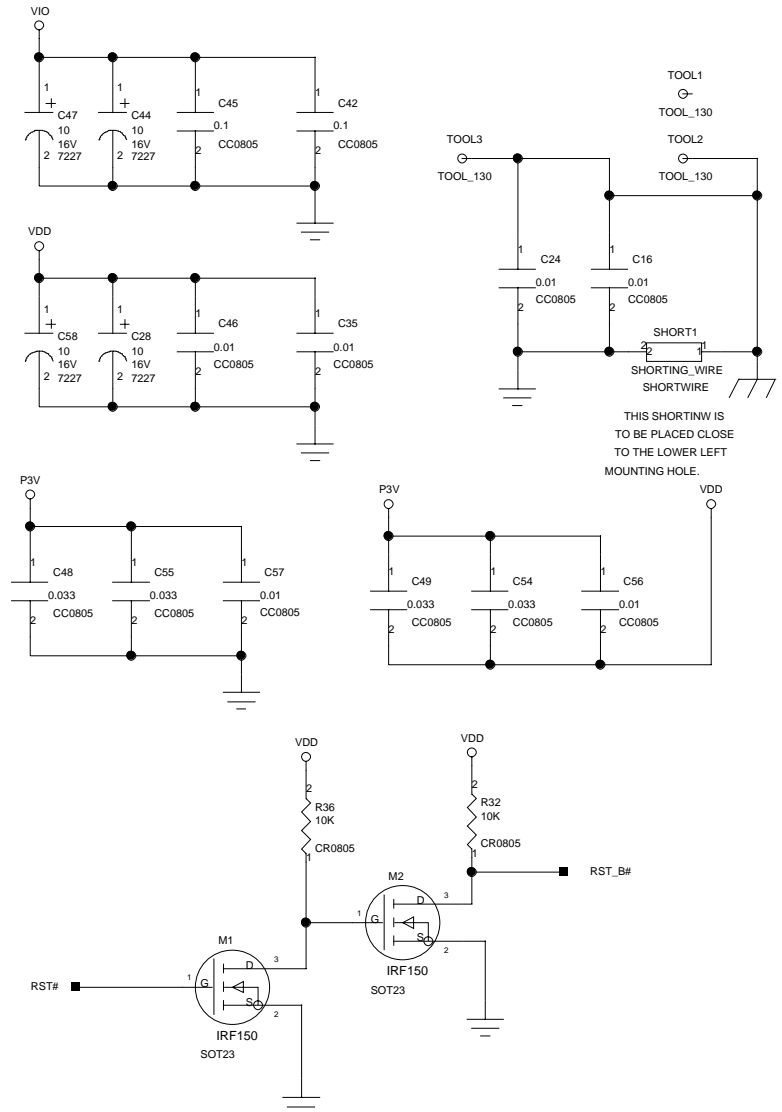


NDA #



PCI CONNECTOR (UNIVERSAL)

A1 FIDUCIAL A2 FIDUCIAL



THIS SHORTINW IS TO BE PLACED CLOSE TO THE LOWER LEFT MOUNTING HOLE.

AMD CONFIDENTIAL

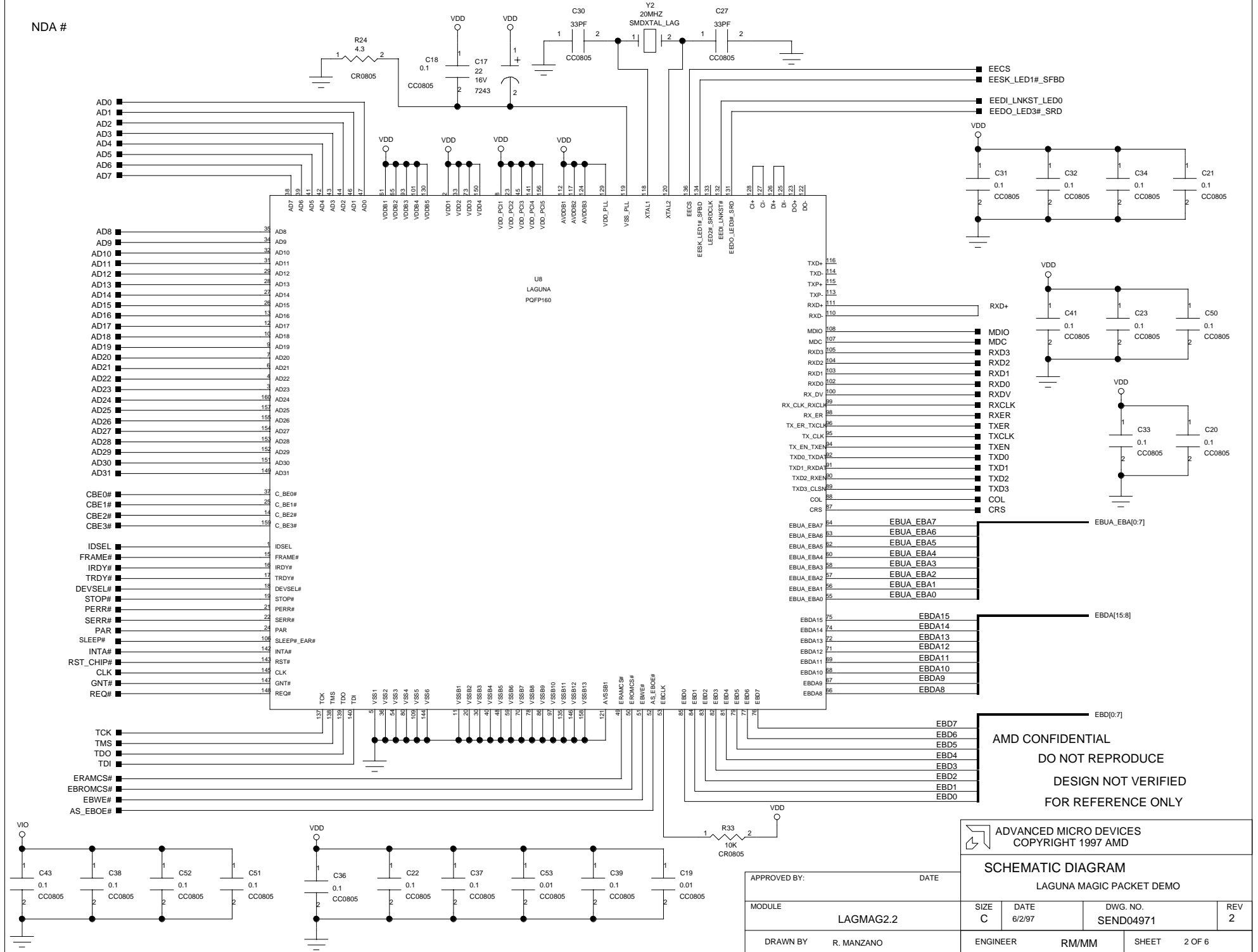
DO NOT REPRODUCE
DESIGN NOT VERIFIED
FOR REFERENCE ONLY

ADVANCED MICRO DEVICES
COPYRIGHT 1997 AMD

SCHEMATIC DIAGRAM
LAGUNA MAGIC PACKET DEMO

APPROVED BY:	DATE				
MODULE	LAGMAG2.1	SIZE	DATE	DWG. NO.	REV
		C	6/2/97	SEND04971	2
DRAWN BY	R. MANZANO	ENGINEER	RCM	SHEET	1 OF 6

NDA #



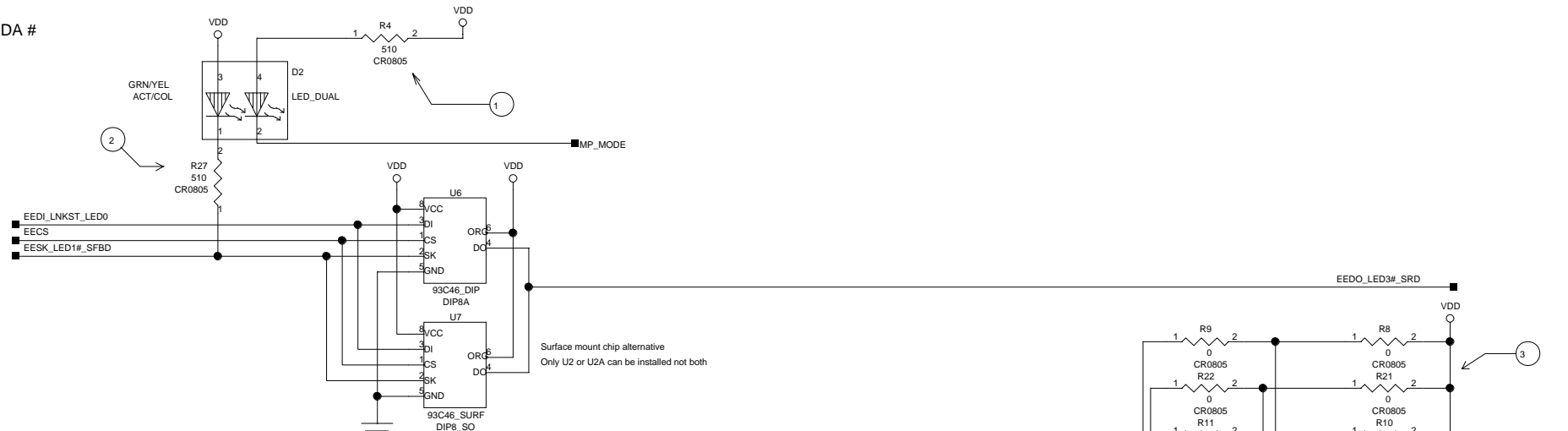
AMD CONFIDENTIAL
 DO NOT REPRODUCE
 DESIGN NOT VERIFIED
 FOR REFERENCE ONLY

ADVANCED MICRO DEVICES
 COPYRIGHT 1997 AMD

SCHEMATIC DIAGRAM
 LAGUNA MAGIC PACKET DEMO

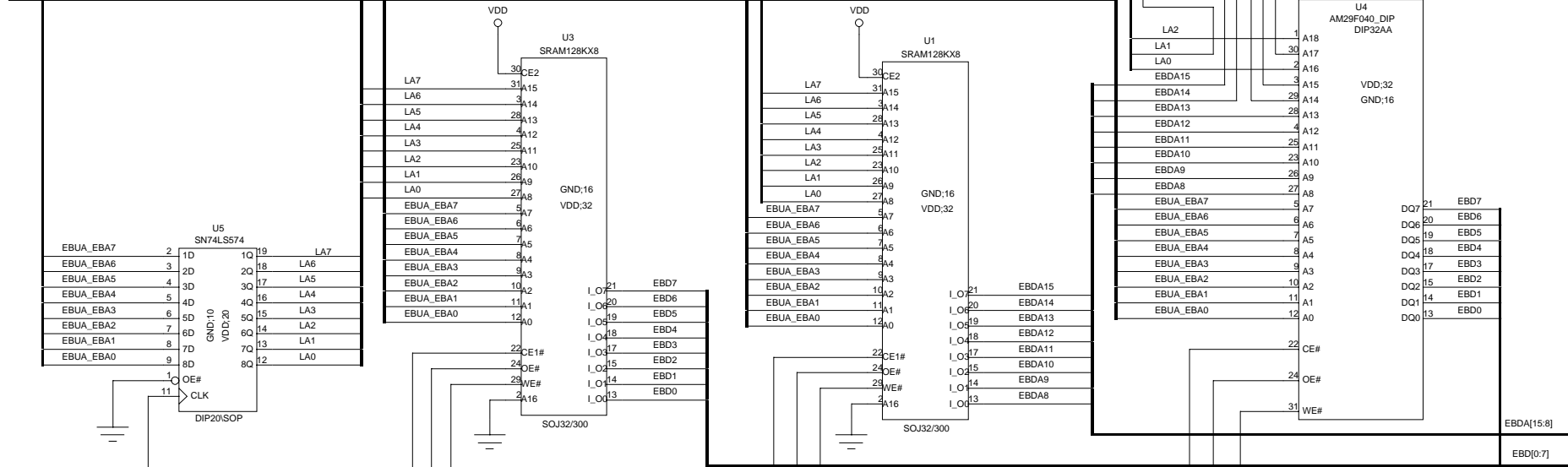
APPROVED BY:	DATE	DWG. NO.		REV
		SEND04971		2
MODULE	LAGMAG2.2	SIZE	DATE	DWG. NO.
		C	6/2/97	SEND04971
DRAWN BY	R. MANZANO	ENGINEER	RM/MM	SHEET 2 OF 6

NDA #



LA[0:7]

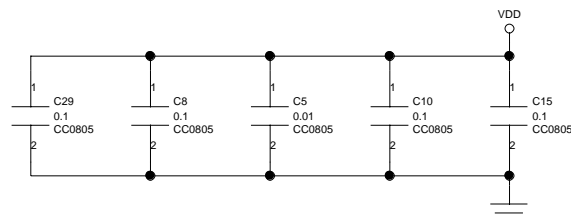
EBUA_EBA[0:7]



ERAMCS#
EBROMCS#
AS_EBOE#
EBWE#

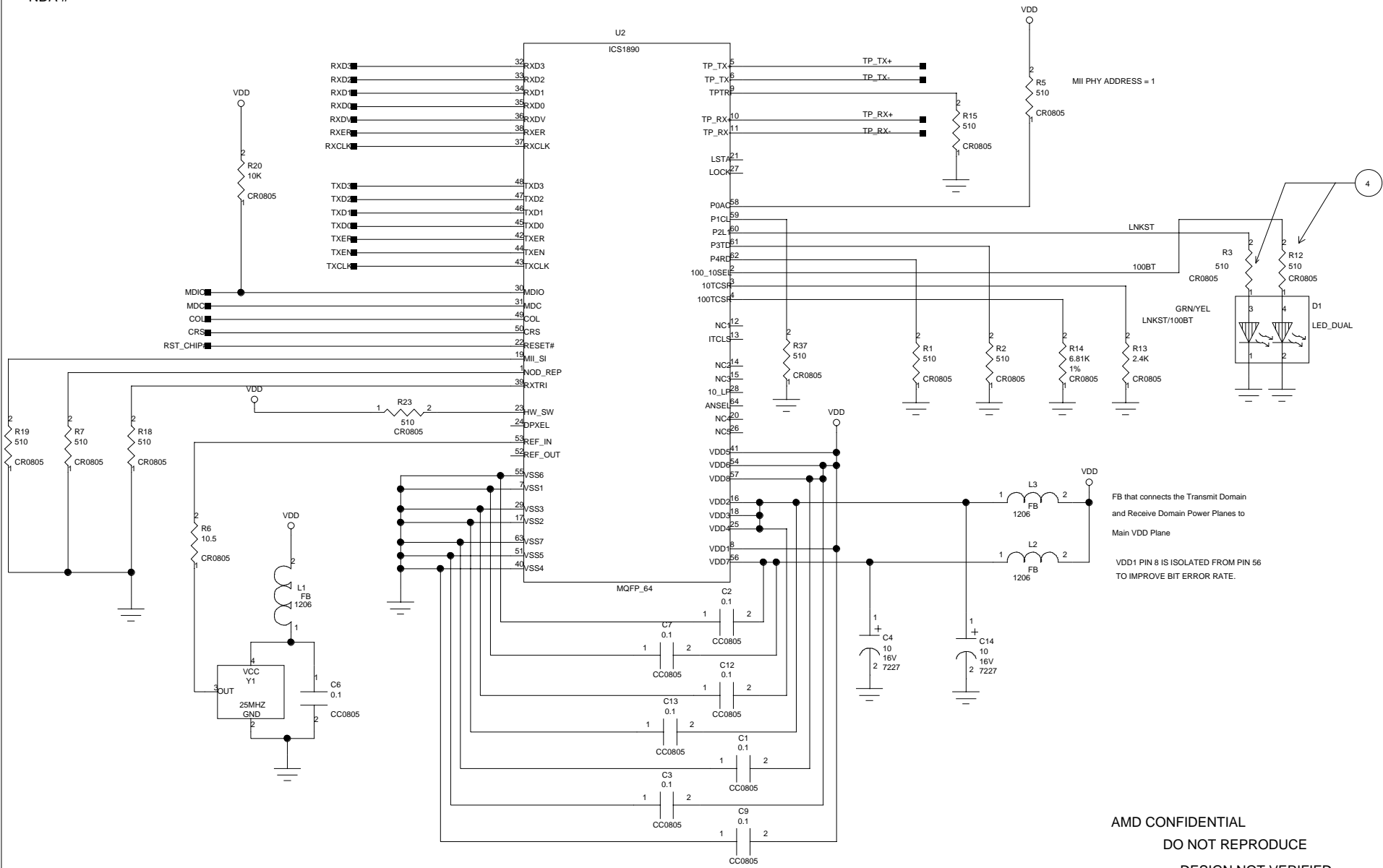
AMD CONFIDENTIAL
DO NOT REPRODUCE
DESIGN NOT VERIFIED
FOR REFERENCE ONLY

- 1 Place R4 close to U2 as possible.
- 2 Place R27 close to U8 as possible.
- 3 R8, R10 and R21 are optional. Install them only when using a non AMD EPROM.



APPROVED BY:	DATE	ADVANCED MICRO DEVICES COPYRIGHT 1997 AMD		
LAGMAG2.3		SCHEMATIC DIAGRAM		
MODULE		LAGUNA MAGIC PACKET DEMO		
SIZE	DATE	DWG. NO.	REV	
C	6/2/97	SEND04971	2	
DRAWN BY R. MANZANO		ENGINEER R. Manzano	SHEET 3 OF 6	

NDA #



Connect CAPS as close to the device as possible

AMD CONFIDENTIAL
 DO NOT REPRODUCE
 DESIGN NOT VERIFIED
 FOR REFERENCE ONLY

4 Place R3 and R12 as close to U2 as possible.

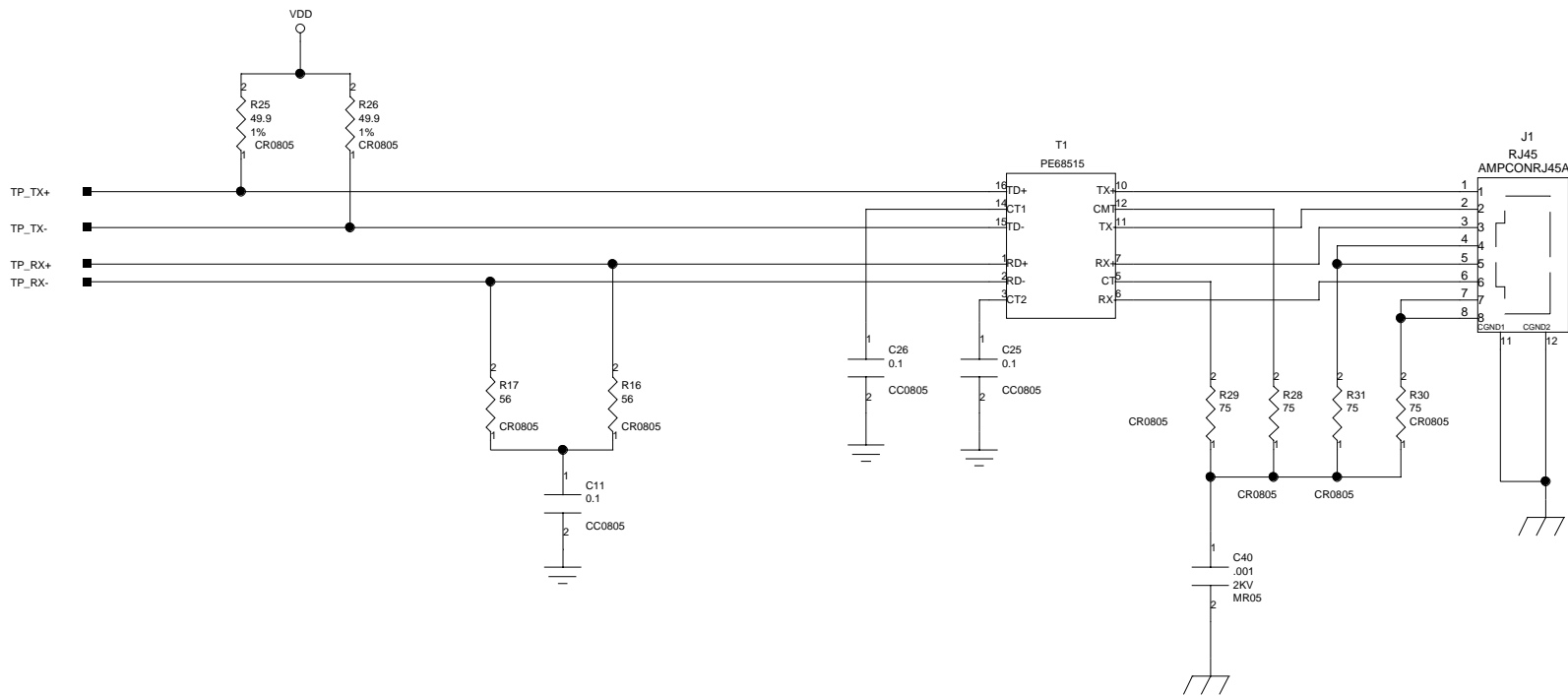
ADVANCED MICRO DEVICES
 COPYRIGHT 1997 AMD

SCHEMATIC DIAGRAM

LAGUNA MAGIC PACKET DEMO

APPROVED BY:	DATE	SIZE		DATE	DWG. NO.	REV
		C	6/2/97	SEND04971		2
DRAWN BY R. MANZANO		ENGINEER R. Manzano		SHEET 4 OF 6		

MODULE	LAGMAG2.4	DWG. NO.	SEND04971
DRAWN BY	R. MANZANO	ENGINEER	R. Manzano



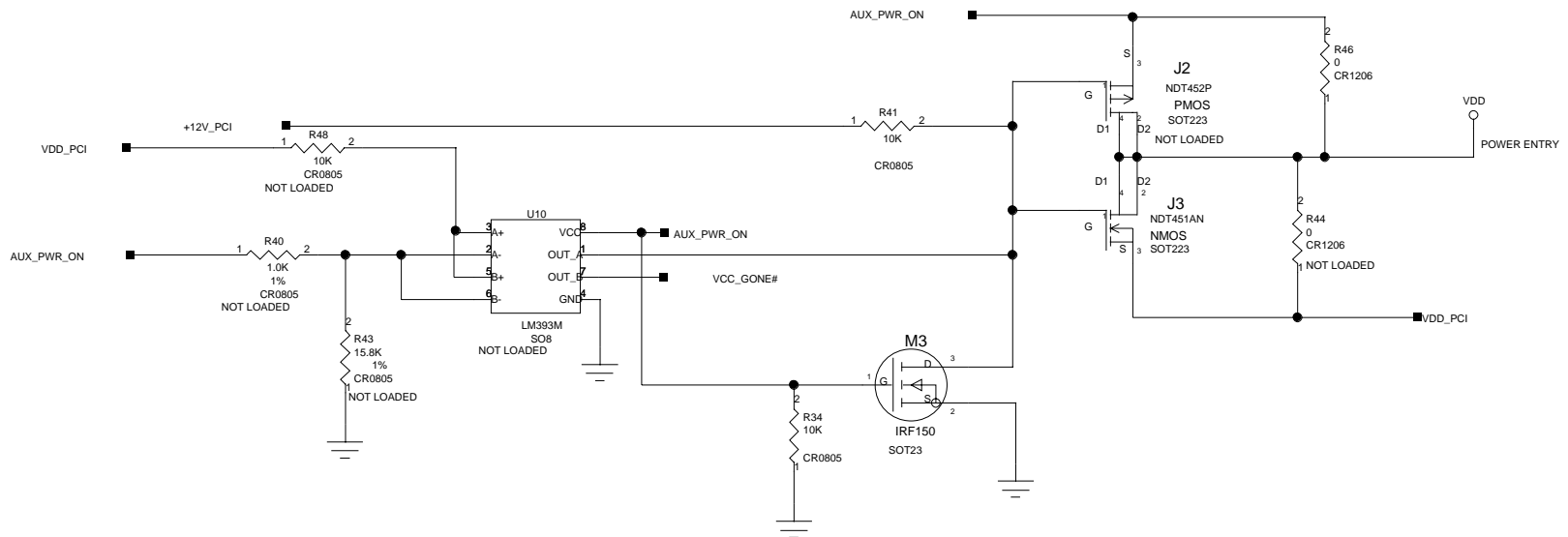
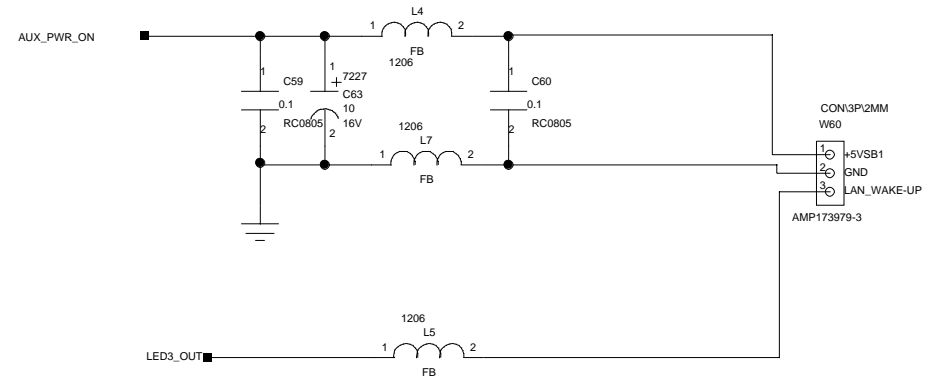
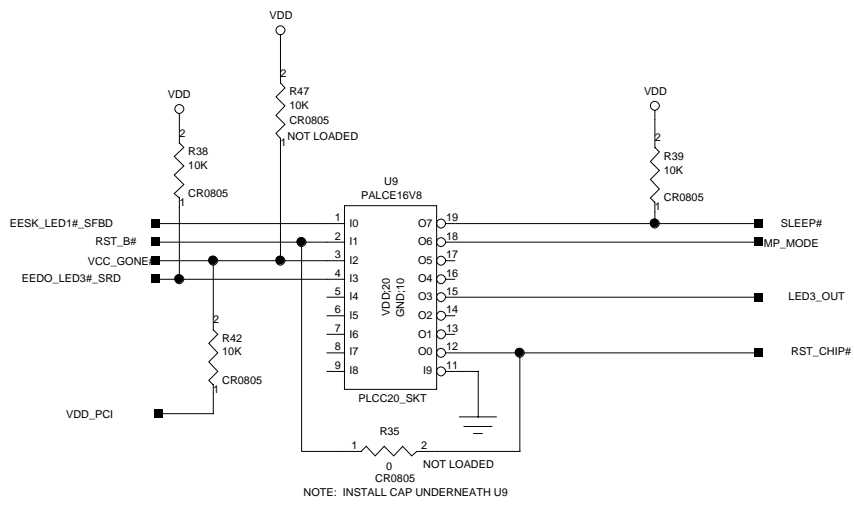
AMD CONFIDENTIAL
 DO NOT REPRODUCE
 DESIGN NOT VERIFIED
 FOR REFERENCE ONLY

ADVANCED MICRO DEVICES
 COPYRIGHT 1997 AMD

SCHEMATIC DIAGRAM

LAGUNA MAGIC PACKET DEMO

APPROVED BY:	DATE				
MODULE	LAGMAG2.5	SIZE	DATE	DWG. NO.	REV
		C	6/2/97	SEND04971	2
DRAWN BY	R. MANZANO	ENGINEER	R. Manzano	SHEET	5 OF 6



MAGIC PACKET CONTROL

ADVANCED MICRO DEVICES
COPYRIGHT 1997 AMD

SCHEMATIC DIAGRAM

LAGUNA MAGIC PACKET DEMO

APPROVED BY:	DATE			
MODULE	SIZE	DATE	DWG. NO.	REV
LAGMAG2.6	C	6/2/97	SEND04971	2
DRAWN BY	ENGINEER	SHEET		6 OF 6
MANZANO/FUNFAR	R. Manzano			