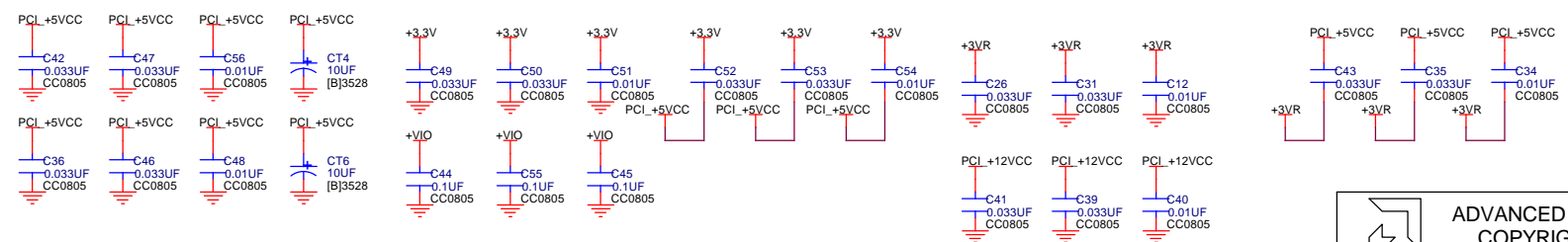
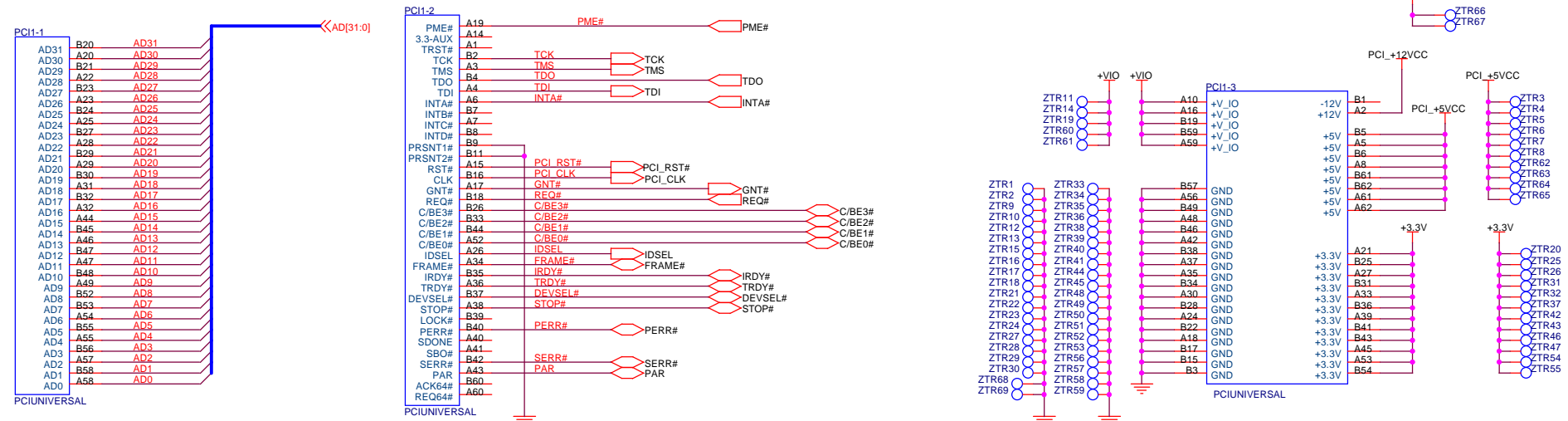
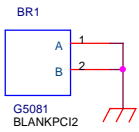

ADVANCED MICRO DEVICES
 COPYRIGHT 1998 AMD
SCHEMATIC DIAGRAM
NetPHY-1LP NIC LT PCB

SIZE	DRAWING NO.	BOARD NO.	REV
B	NetPHY-1LP_LT_2	NetPHY-1LP_LT_2	2
Date: Wednesday, August 11, 1999		Sheet 2 of 5	



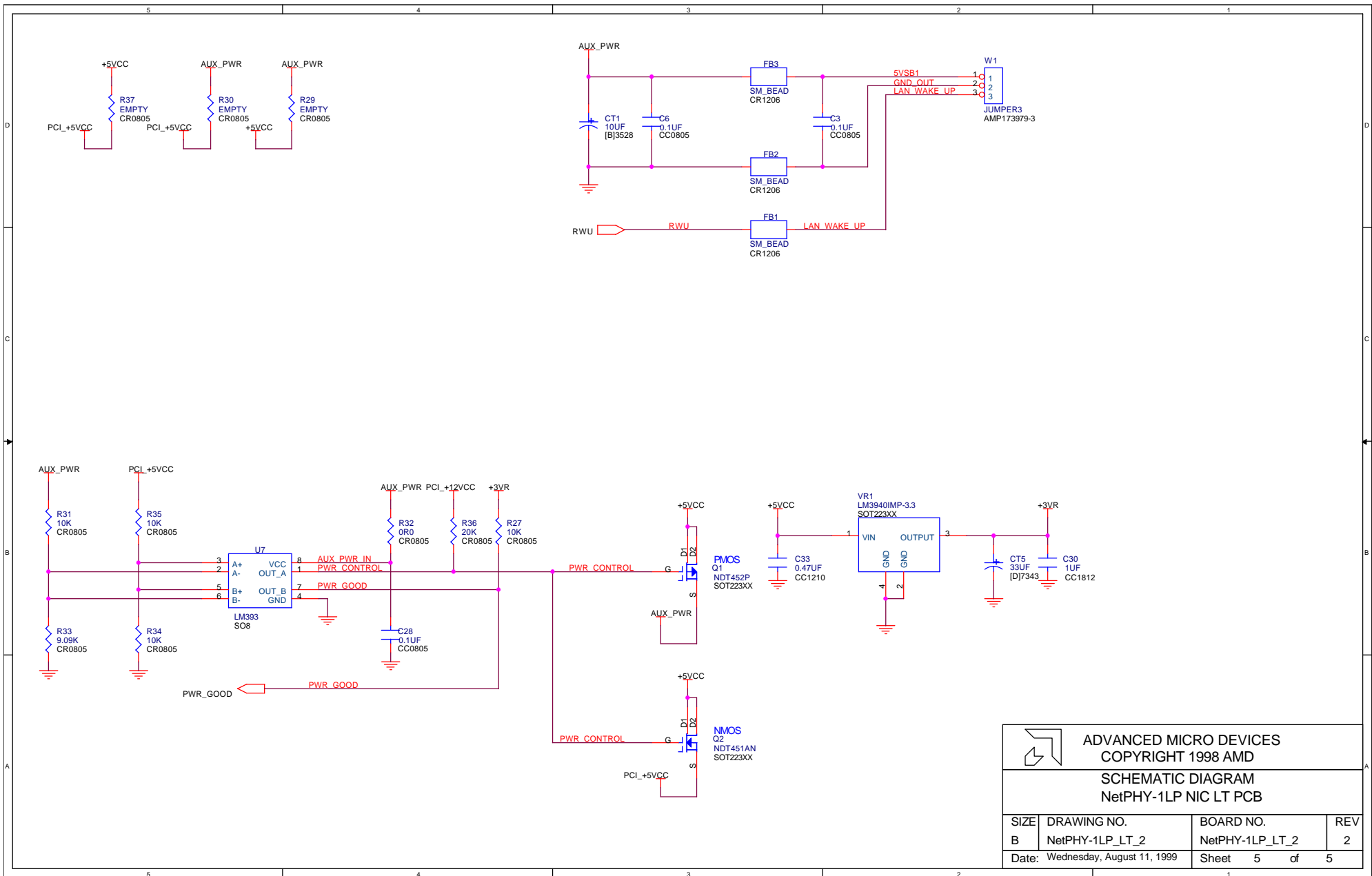
Tools are part of board,
not components.


PCI Bus Interface

ADVANCED MICRO DEVICES
COPYRIGHT 1998 AMD

SCHEMATIC DIAGRAM
NetPHY-1LP NIC LT PCB

SIZE	DRAWING NO.	BOARD NO.	REV
B	NetPHY-1LP_LT_2	NetPHY-1LP_LT_2	2
Date:	Wednesday, August 11, 1999	Sheet 4 of 5	



 ADVANCED MICRO DEVICES COPYRIGHT 1998 AMD			
SCHEMATIC DIAGRAM NetPHY-1LP NIC LT PCB			
SIZE	DRAWING NO.	BOARD NO.	REV
B	NetPHY-1LP_LT_2	NetPHY-1LP_LT_2	2
Date: Wednesday, August 11, 1999		Sheet 5 of 5	