

AMD CONFIDENTIAL  
 DO NOT REPRODUCE  
 DESIGN NOT VERIFIED  
 FOR REFERENCE ONLY

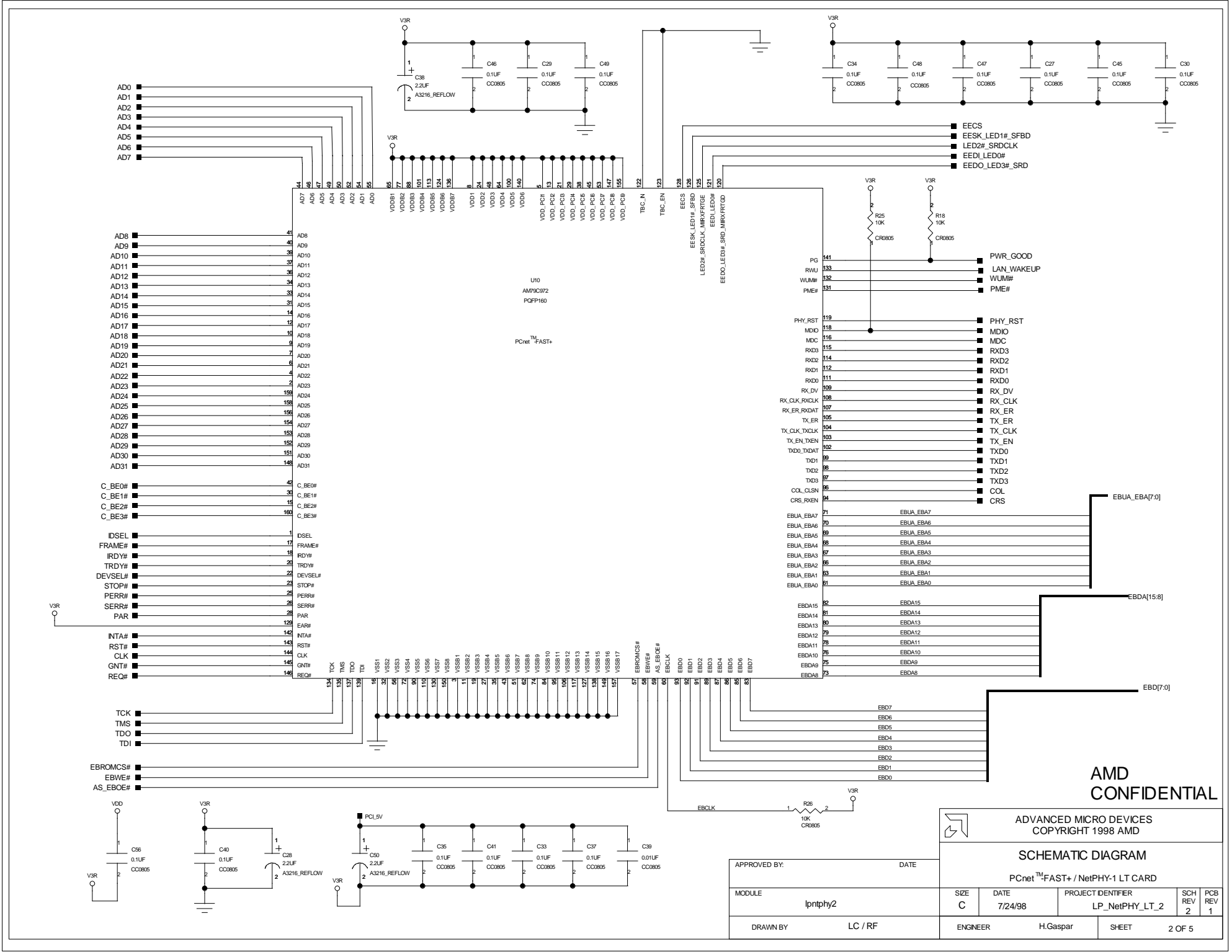
ADVANCED MICRO DEVICES COPYRIGHT 1998 AMD				
<b>SCHEMATIC DIAGRAM</b>				
Pcnet™ -FAST+ / NetPHY-1 LT CARD				
MODULE	SIZE	DATE	PROJECT IDENTIFIER	SCH REV
lpntphy2	C	7/24/98	LP_NetPHY_LT_2	2
DRAWN BY	ENGINEER	SHEET		PCB REV
LC / RF	H. Gaspar	1 OF 5		1

APPROVED BY:	DATE:

PCI CONNECTOR (UNIVERSAL)

A1 FIDUCIAL  
 A2 FIDUCIAL

THESE ARE VIAS FOR POWER SUPPLY PURPOSES



**AMD  
CONFIDENTIAL**

ADVANCED MICRO DEVICES  
COPYRIGHT 1998 AMD

**SCHMATIC DIAGRAM**

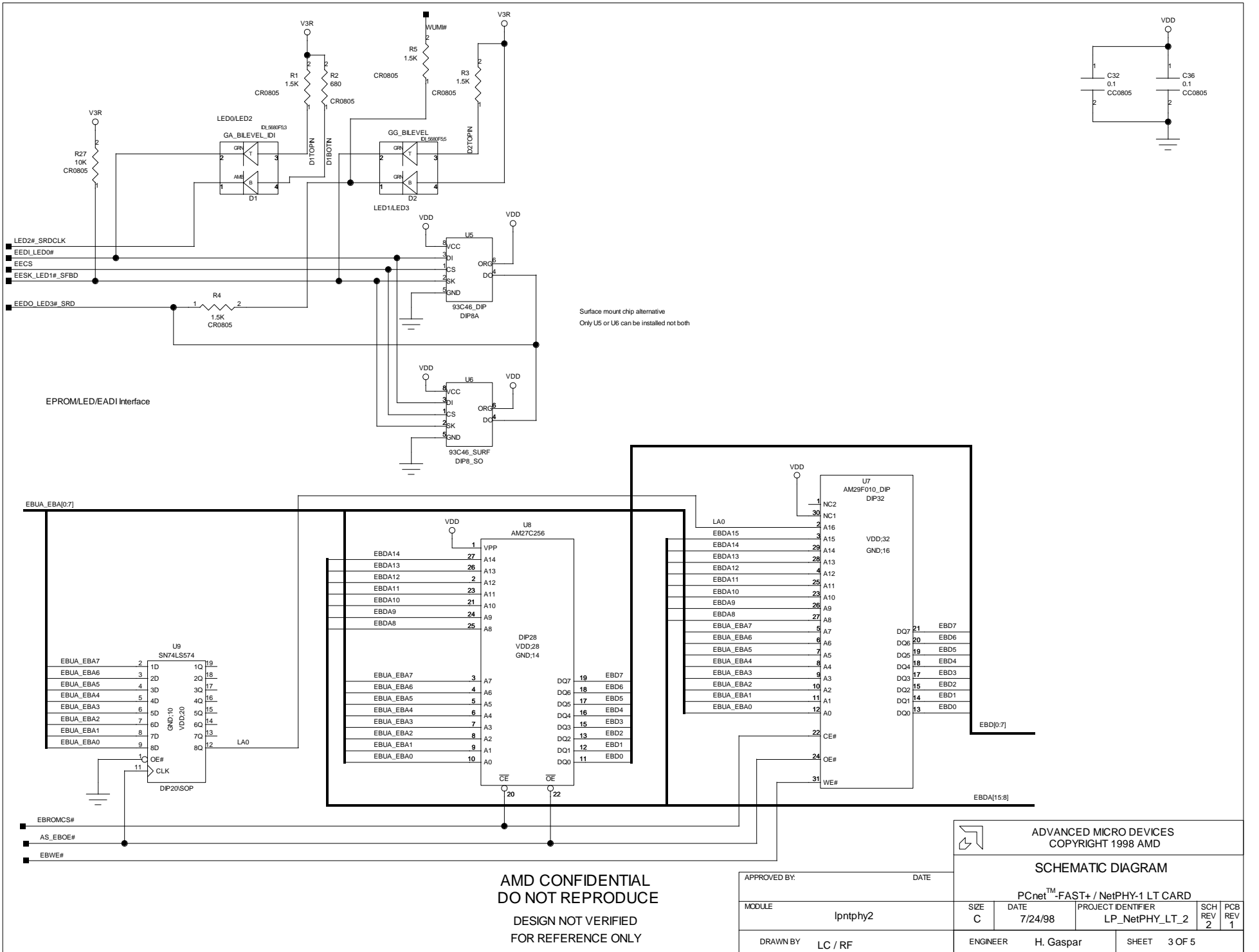
Pcnet™FAST+ / NetPHY-1 LT CARD

SIZE C	DATE 7/24/98	PROJECT IDENTIFIER LP_NetPHY_LT_2	SCH REV 2	PCB REV 1
-----------	-----------------	--------------------------------------	-----------------	-----------------

APPROVED BY: \_\_\_\_\_ DATE: \_\_\_\_\_

MODULE: **lprnphy2**

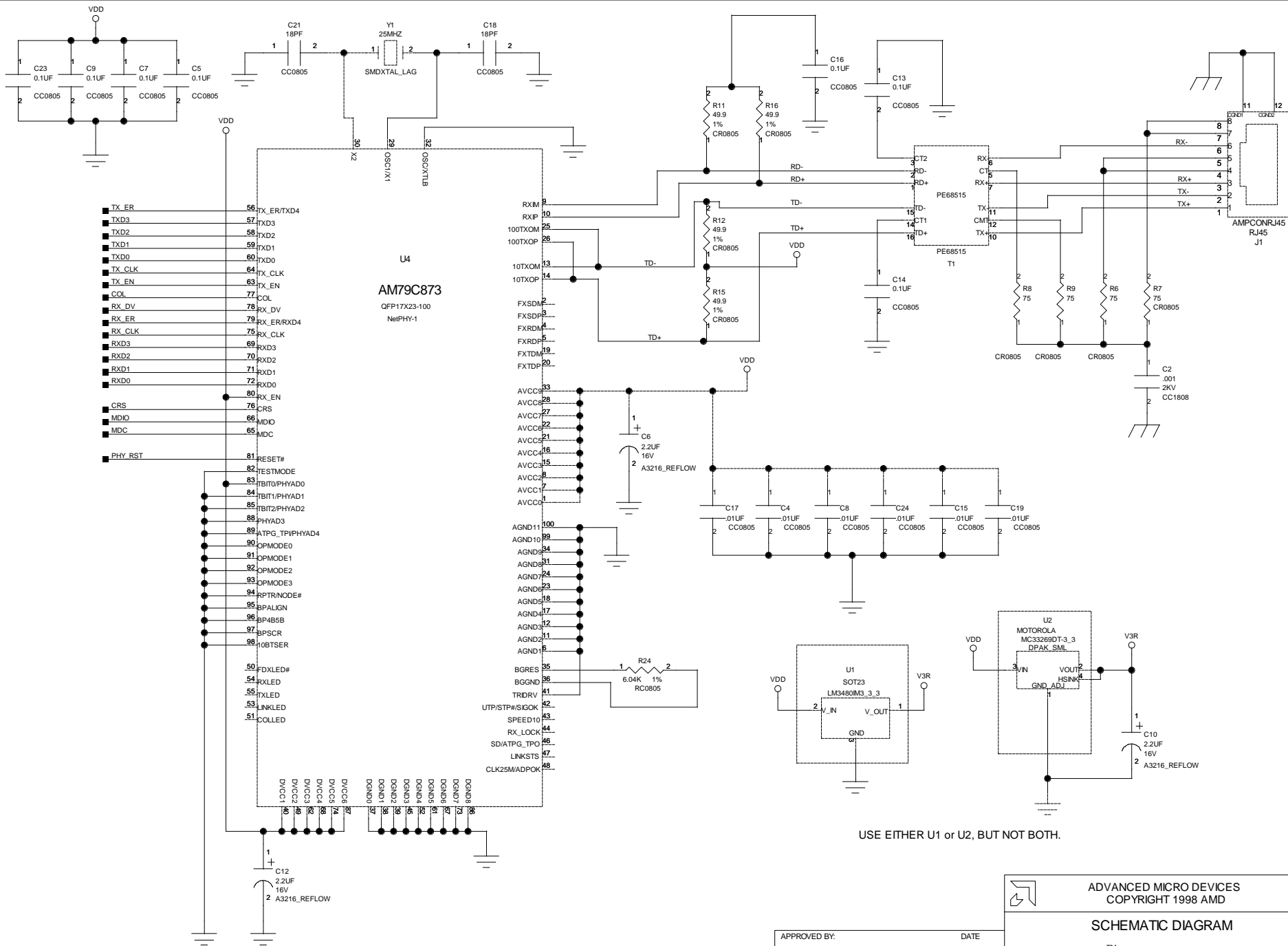
DRAWN BY: **LC / RF** ENGINEER: **H.Gaspar** SHEET: **2 OF 5**



AMD CONFIDENTIAL  
DO NOT REPRODUCE  
DESIGN NOT VERIFIED  
FOR REFERENCE ONLY

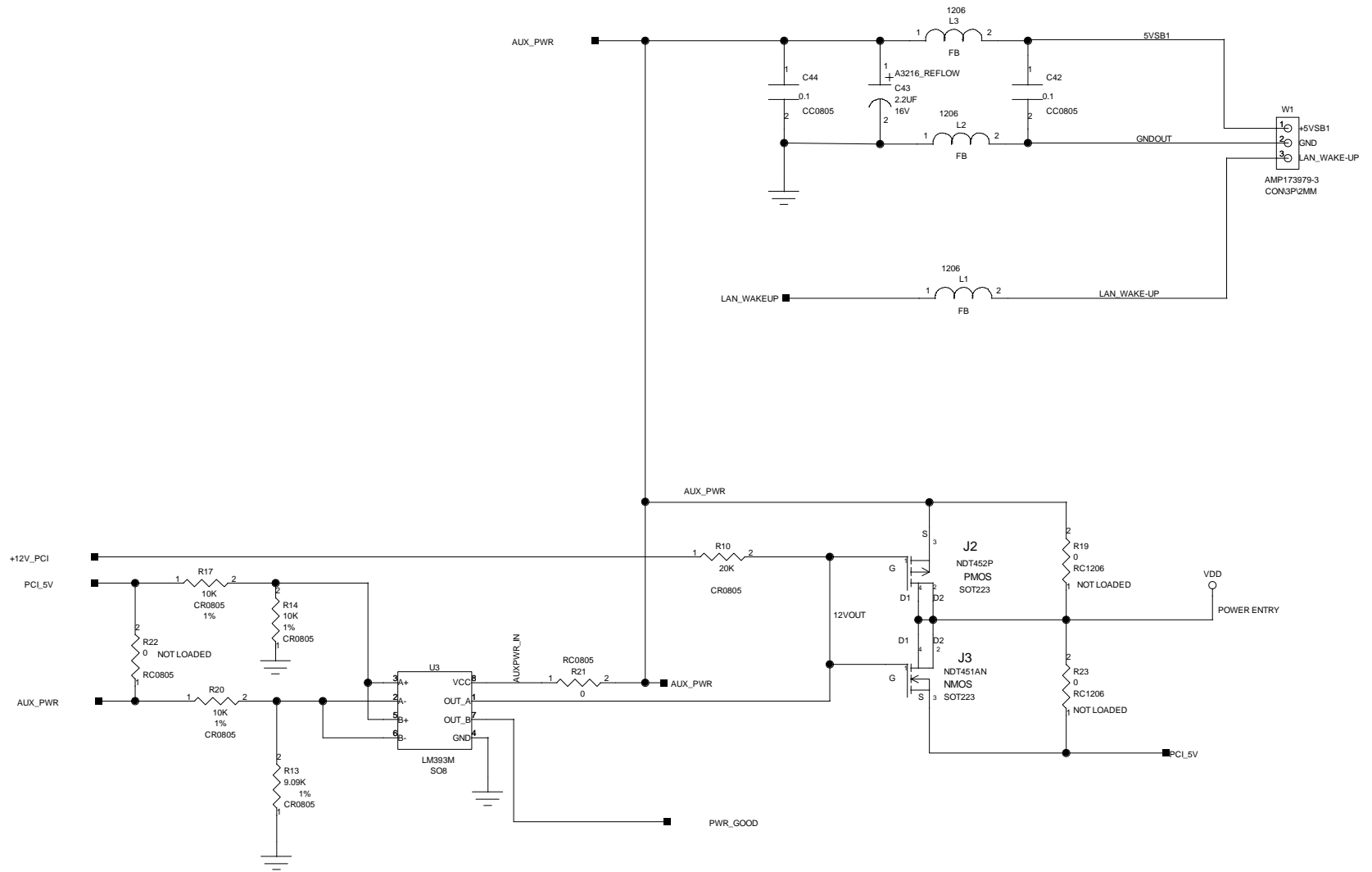
APPROVED BY:	DATE:
MODULE	lpntphy2
DRAWN BY	LC / RF

ADVANCED MICRO DEVICES COPYRIGHT 1998 AMD				
SCHEMATIC DIAGRAM				
PCnet™-FAST+ / NetPHY-1 LT CARD				
SIZE	DATE	PROJECT IDENTIFIER	SCH REV	PCB REV
C	7/24/98	LP_NetPHY_LT_2	2	1
ENGINEER	H. Gaspar	SHEET 3 OF 5		



USE EITHER U1 or U2, BUT NOT BOTH.

 ADVANCED MICRO DEVICES COPYRIGHT 1998 AMD					
<b>SCHEMATIC DIAGRAM</b>					
PCnet™ -FAST+ / NetPHY-1 LT CARD					
APPROVED BY:	DATE:	SIZE: C	DATE: 7/24/98	PROJECT IDENTIFIER: LP_NetPHY_LT_2	SCH REV: 2
MODULE: lpntphy2	DRAWN BY: LC / RF	ENGINEER: H. GASPAR	SHEET: 4 OF 5	PCB REV: 1	



MAGIC PACKET CONTROL

ADVANCED MICRO DEVICES  
COPYRIGHT 1998 AMD

SCHEMATIC DIAGRAM

PCnet™ -FAST+ / NetPHY-1 LT CARD

APPROVED BY:	DATE:	SIZE	DATE	PROJECT IDENTIFIER	SCH REV	PCB REV
		C	7/24/98	LP_NetPHY_LT_2	2	1
MODULE	lpntphy2	ENGINEER	H. Gaspar	SHEET	5 OF 5	
DRAWN BY	LC / RF					