

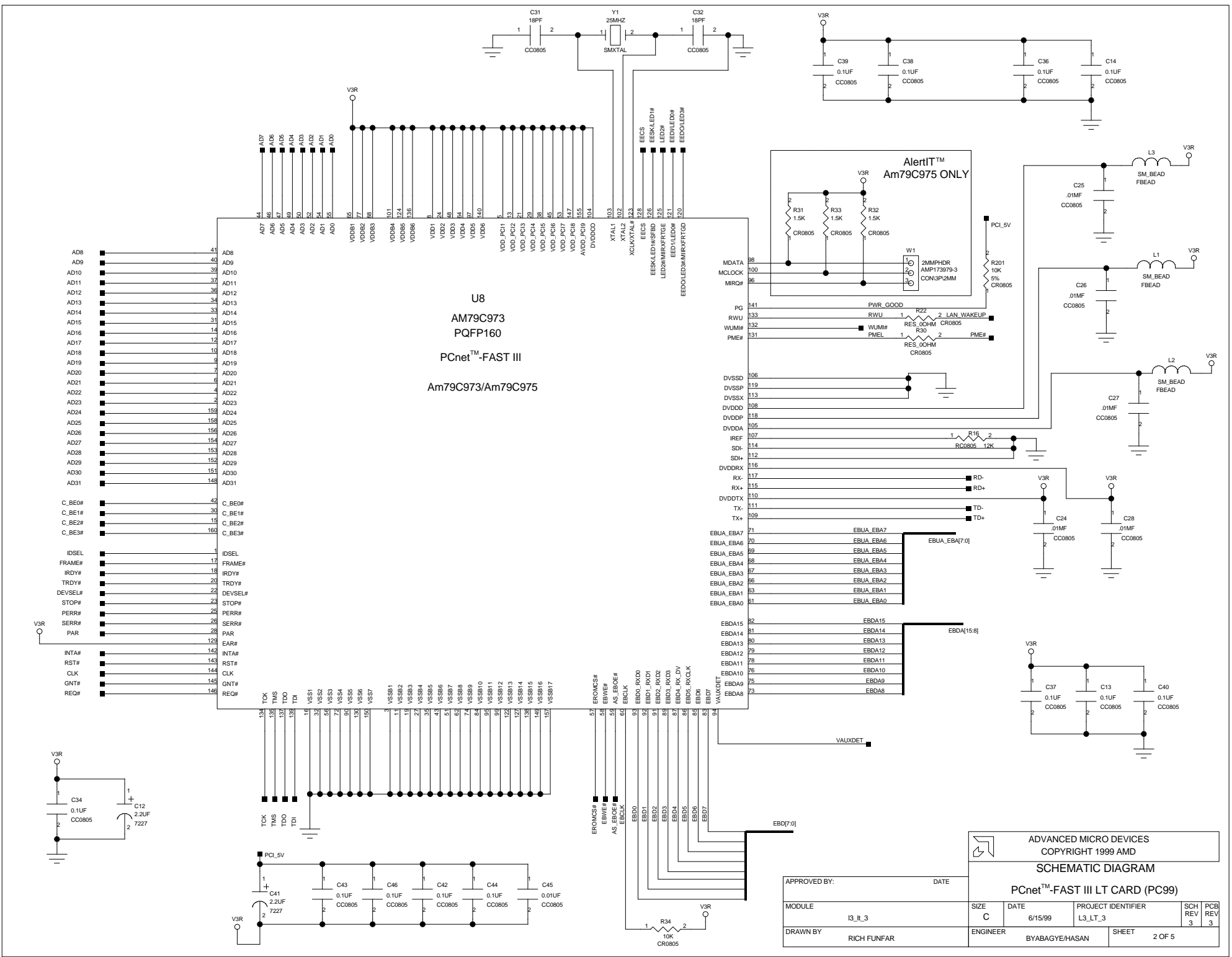
PCI Interface

ADVANCED MICRO DEVICES COPYRIGHT 1999 AMD				
<b>SCHEMATIC DIAGRAM</b>				
<b>PCnet™-FAST III LT CARD (PC99)</b>				
APPROVED BY:	DATE:	SIZE:	DATE:	PROJECT IDENTIFIER:
MODULE:	I3_It_3	C	6/15/99	L3_LT_3
DRAWN BY:	RICH FUNFAR	ENGINEER:	BYABAGYE/HASAN	SHEET:
			3 OF 3	3 OF 5

APPROVED BY:	DATE:
MODULE:	I3_It_3
DRAWN BY:	RICH FUNFAR

PCI CONNECTOR (UNIVERSAL)

A1 FIDUCIAL  
 A2 FIDUCIAL  
 UNPL130 Z1 UNPLHOLE130  
 UNPL130 Z2 UNPLHOLE130  
 UNPL130 Z3 UNPLHOLE130

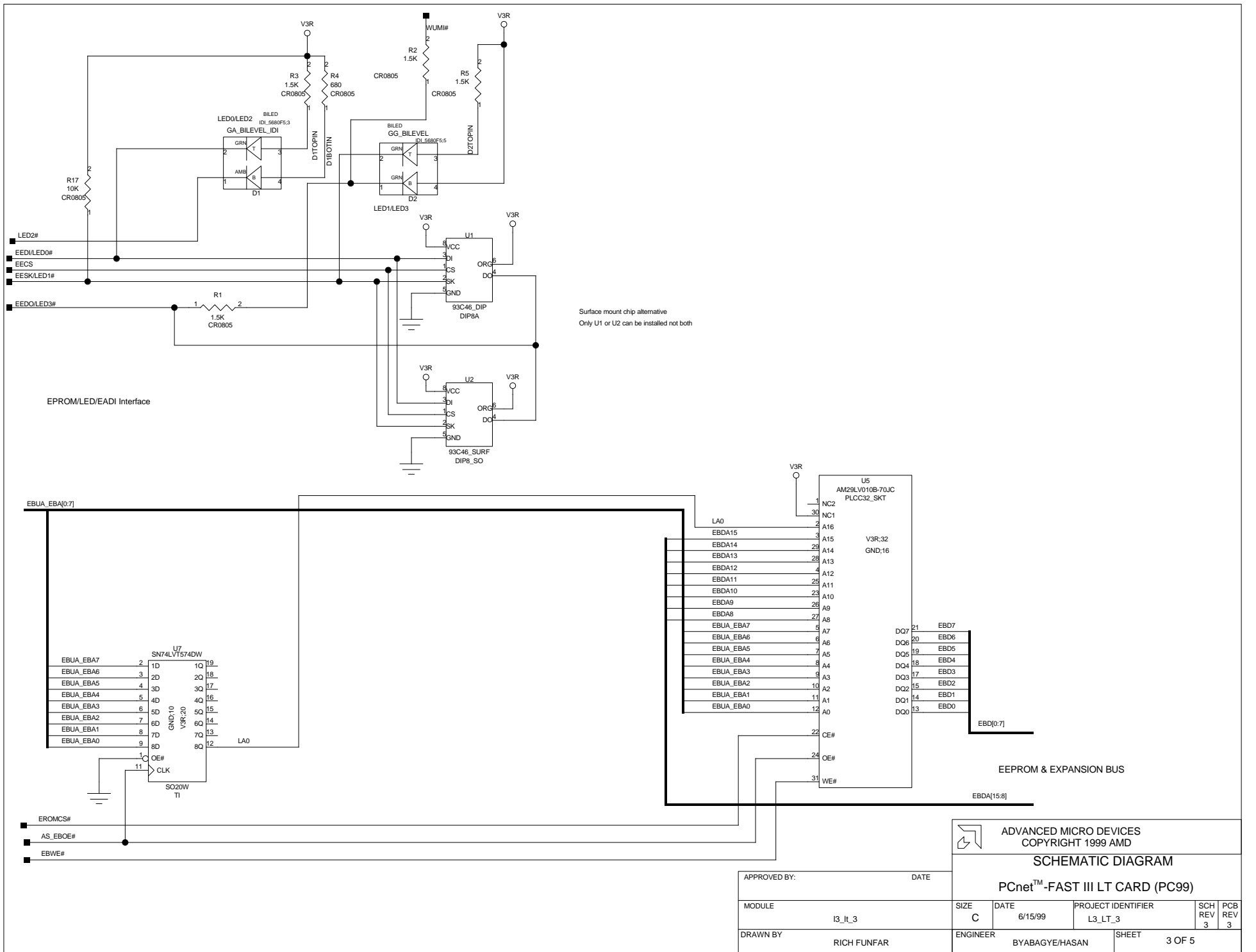


ADVANCED MICRO DEVICES  
COPYRIGHT 1999 AMD

**SCHEMATIC DIAGRAM**

**PCnet™-FAST III LT CARD (PC99)**

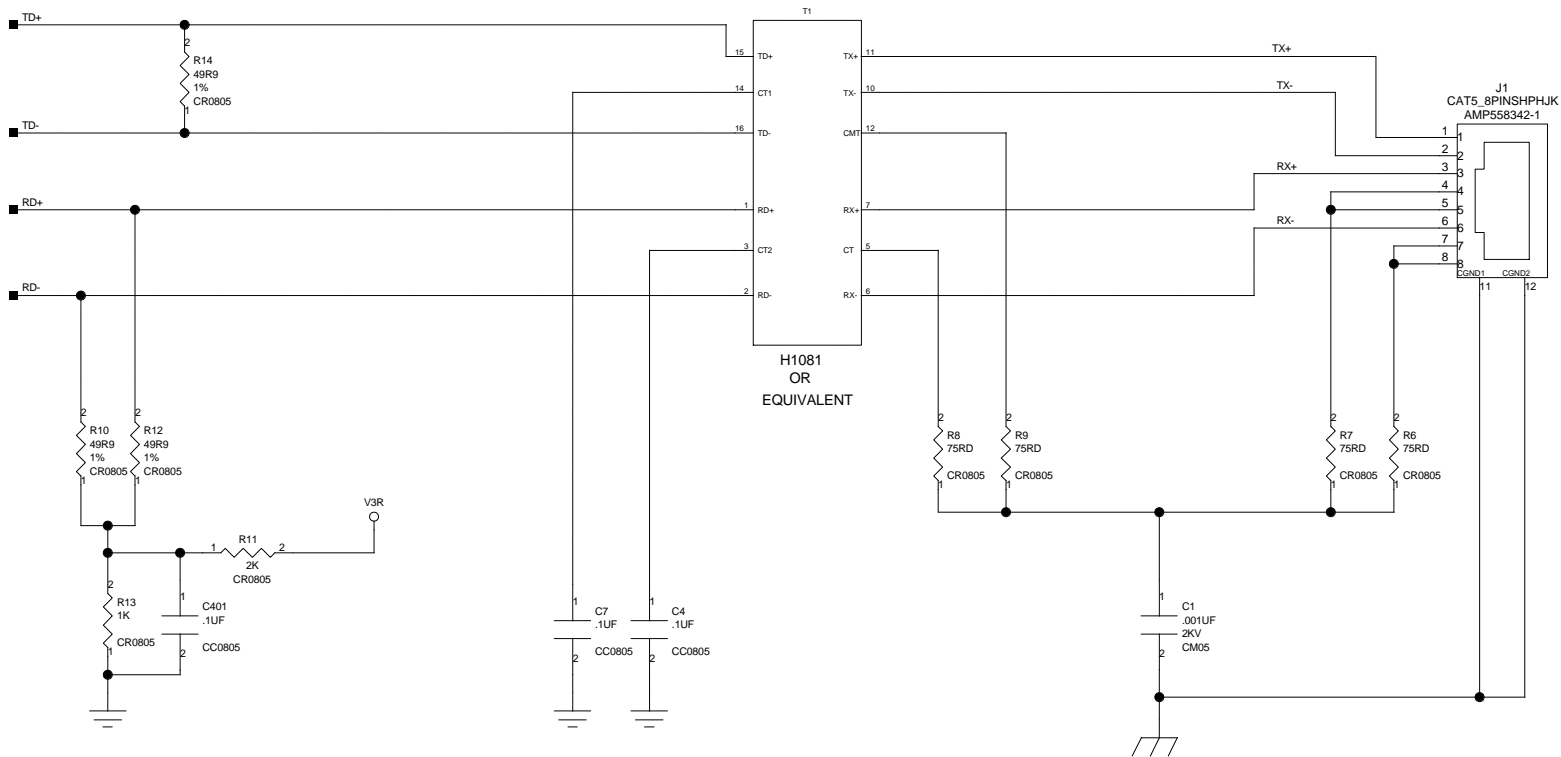
APPROVED BY:	DATE	PROJECT IDENTIFIER		SCH REV	PCB REV
		L3_LT_3		3	3
MODULE	SIZE	DATE	PROJECT IDENTIFIER	SCH REV	PCB REV
I3_LT_3	C	6/15/99	L3_LT_3	3	3
DRAWN BY	ENGINEER	SHEET		2 OF 5	
RICH FUNFAR	BYABAGYE/HASAN				




ADVANCED MICRO DEVICES  
COPYRIGHT 1999 AMD

**SCHEMATIC DIAGRAM**  
PCnet™-FAST III LT CARD (PC99)

APPROVED BY:	DATE	SIZE	DATE	PROJECT IDENTIFIER	SCH REV	PCB REV
		C	6/15/99	L3_LT_3	3	3
DRAWN BY	ENGINEER	SHEET		3 OF 5		
RICH FUNFAR	BYABAGYE/HASAN					



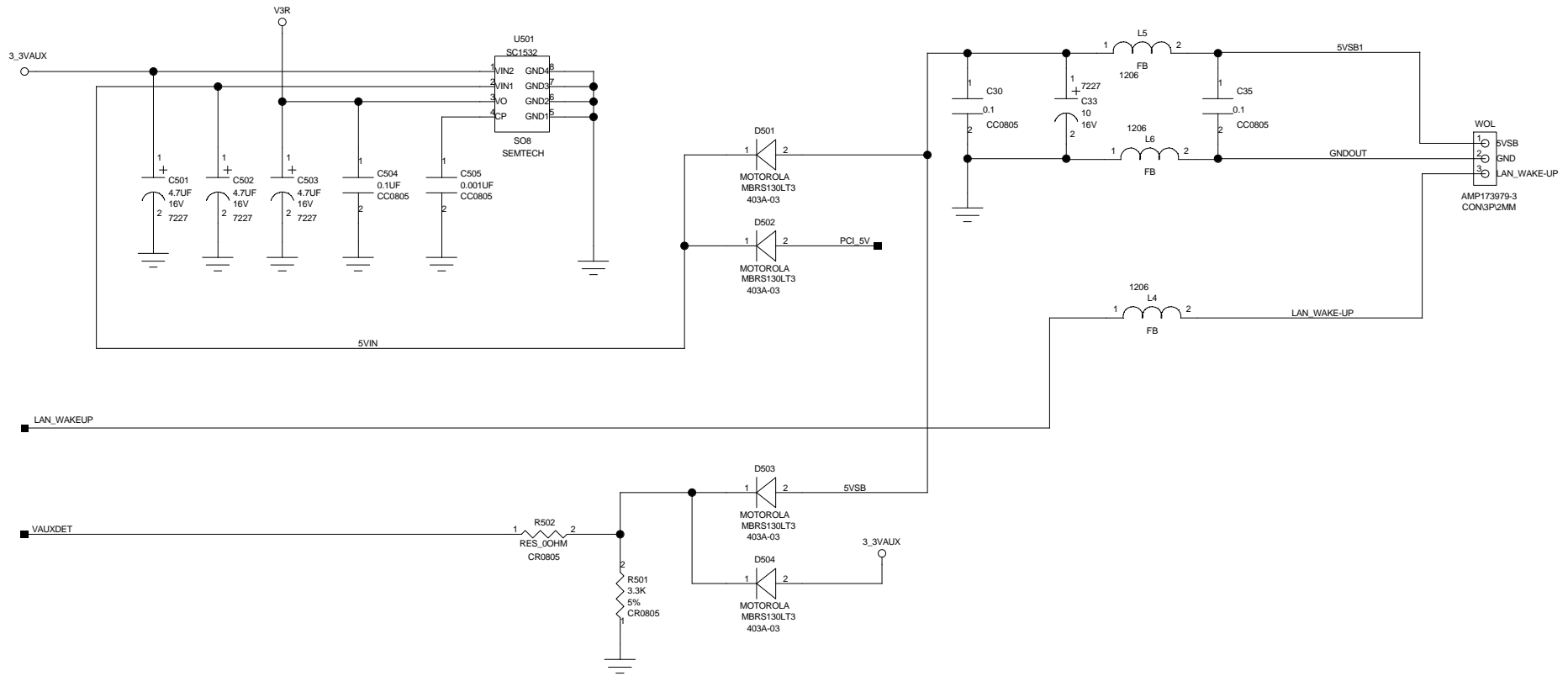

**ADVANCED MICRO DEVICES**  
 COPYRIGHT 1999 AMD

**SCHEMATIC DIAGRAM**

**PCnet™ -FAST III LT CARD (PC99)**

APPROVED BY:		DATE		SIZE		DATE	PROJECT IDENTIFIER	SCH REV	PCB REV
				C	6/15/99	L3_LT_3	L3_LT_3	3	3
DRAWN BY		ENGINEER		SHEET		4 OF 5			
RICH FUNFAR		BYABAGYE/HASAN							

Provides power to all components on the board



### L3 POWER MANAGEMENT

ADVANCED MICRO DEVICES  
COPYRIGHT 1999 AMD

#### SCHEMATIC DIAGRAM

PCnet™-FAST III LT CARD (PC99)

APPROVED BY:	DATE	SIZE	DATE	PROJECT IDENTIFIER	SCH REV	PCB REV
		C	6/15/99	L3_LT_3	3	3
MODULE	I3_lt_3	DRAWN BY	ENGINEER	SHEET	5 OF 5	
	RICH FUNFAR		BYABAGYE/HASAN			