

AMD-8111™ HyperTransport™ I/O Hub

AMD introduces the AMD-8111™ HyperTransport™ I/O hub. This feature-rich core-logic component provides sophisticated I/O functionality to systems implementing HyperTransport technology. Replacing the traditional “Southbridge,” this component integrates storage, connectivity, audio, I/O expansion, security, and system management functions into a single device.

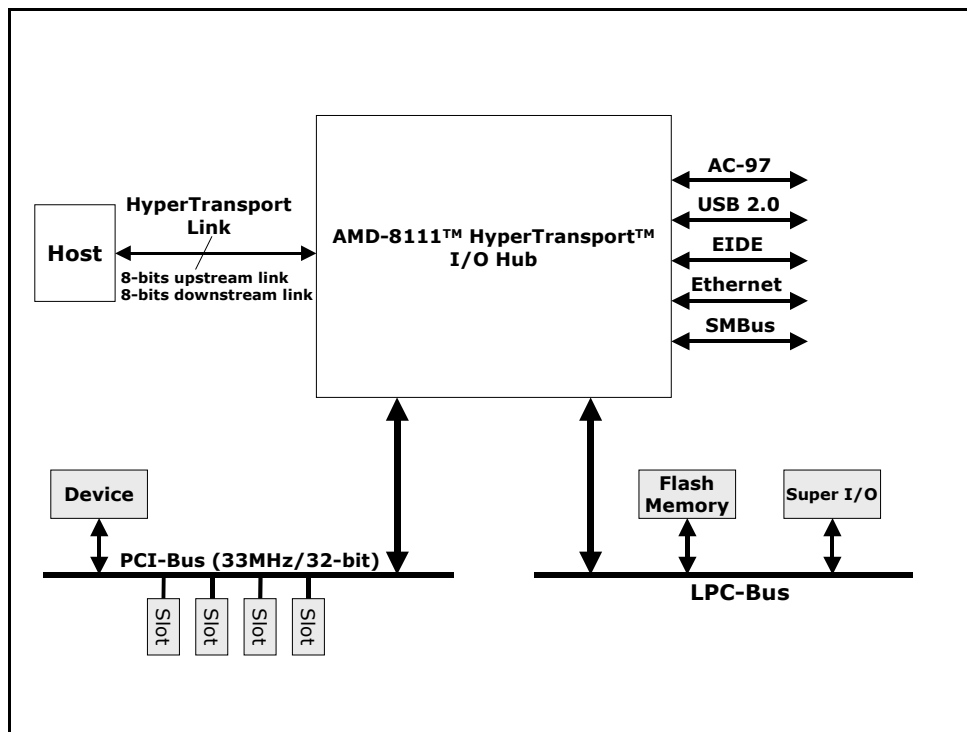


Figure 1: AMD-8111™ HyperTransport™ I/O hub

Features

- 8-bit HyperTransport technology interface supporting up to 800MB/s of bandwidth
- 33MHz, 32-bit PCI 2.2-compliant PCI bus with support for up to eight PCI devices
- AC-97 interface supporting soft modem and six-channel soft audio
- Integrated 10/100 Ethernet MAC with MII interface
- Two USB OHCI controllers and one USB EHCI controller supporting a total of six ports
- EIDE controller supporting ATA-33, 66, 100, and 133 transfer modes
- LPC bus
- High-precision event timer
- Serial IRQ interface
- IOAPIC controller
- Real-time clock (RTC)
- ACPI-compliant power management logic
- 32 GPIO pins (multiplexed with other functions)
- Privacy-security logic
- 492-pin PBGA package

© 2002 Advanced Micro Devices Inc., All rights reserved.

AMD, the AMD Arrow logo, AMD-8111 and combinations thereof are trademarks of Advanced Micro Devices, Inc. HyperTransport is a trademark of the HyperTransport Technology Consortium in the United States and other jurisdictions. Other product names used in this publication are for identification purposes only and may be trademarks of their respective companies.